

MOEN® 摩恩

恒温龙头套装

安装说明书

Push Button Thermostatic Tub Shower Faucet

INSTALLATION INSTRUCTIONS

如需安装支持，配件丢失等，请联系MOEN。
(中国) 400-630-8866

www.moen.cn

PLEASE CONTACT MOEN FIRST

For Installation Help, Missing or Replacement
Parts

(China) 400-630-8866

www.moen.cn



图片仅供参考
(款式因型号而异)

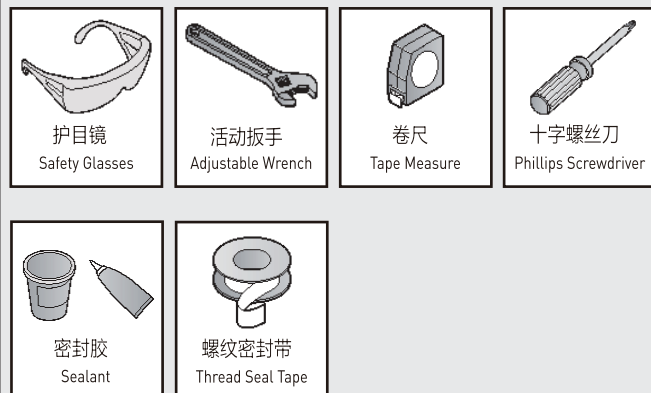
Image is for reference only
(Style varies by model)

推荐工具

为了安全和让安装和替换变得容易，Moen建议您使用以下工具：

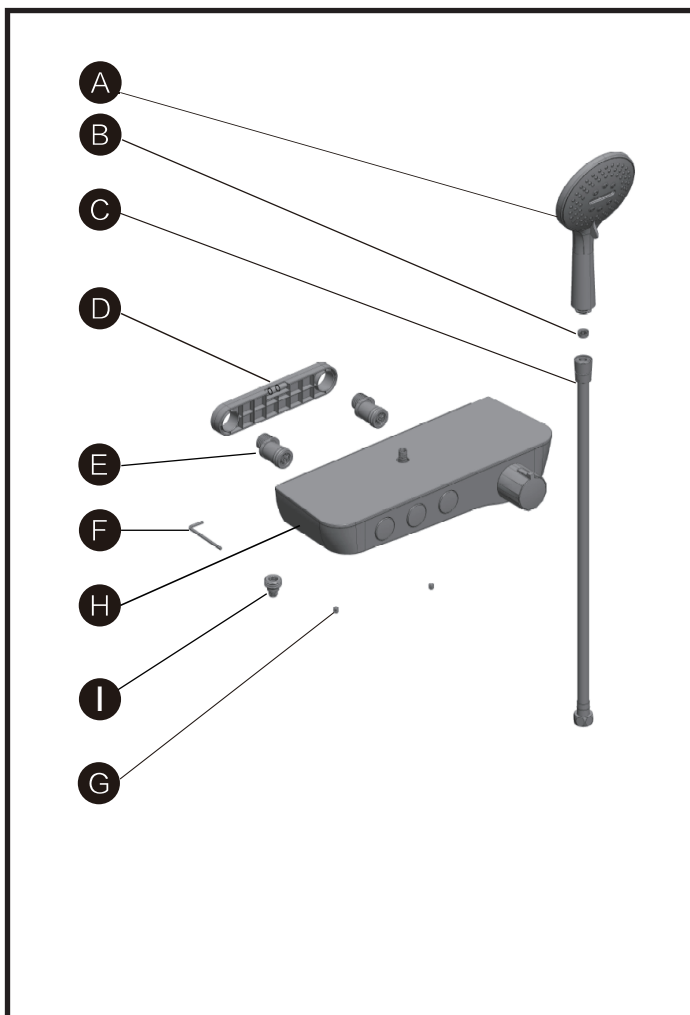
HELPFUL TOOLS

For safety and ease of replacement, Moen recommends the use of these helpful tools.



记录购买的型号：
(保存安装说明书以备将来参考)

Record Purchased Model Number:
(Save instruction sheet for future reference)



零件清单

- A. 手持花洒
- B. 省水片
- C. 花洒软管
- D. 定位工装组
- E. 进水弯头组 (2x)
- F. 内六角扳手
- G. M6顶丝 (2x)
- H. 恒温龙头
- I. G1/2 接头

Parts List

- A. Hand Shower
- B. Restrictor
- C. Shower Hose
- D. Positioning Tool
- E. Water Inlet (2x)
- F. Allen Key
- G. M6 Set Screw (2x)
- H. Thermostatic Faucet
- I. G1/2 Outlet

★清点零件时注意: M6顶丝(G)安装在其安装孔中。

G1/2出水接头配套2333圆形淋浴杆, 对插式出水接头(I)配套2385方形淋浴杆.

Please kindly noted that when checking the spare parts: the M6 set screw(G) are installed in the installation hole.

G1/2 connector fix with 2333 shower bar, butt joint connector (I) fix with 2385 shower bar.



移除旧龙头注意事项:

拆除现有水龙头或拆卸阀门之前, 请务必先关闭供水。打开水龙头手柄以释放水压, 确保完全关闭水源。

CAUTION — TIPS FOR REMOVAL OF OLD FAUCET:

Always turn water supply OFF before removing existing faucet or disassembling the valve. Open faucet handle to relieve water pressure and ensure that complete water shut-off has been accomplished.

安装前注意事项:

敬告:在墙上钻任何孔时,请确保在您准备钻孔的地方没有隐蔽的管道和电缆!

申明:本公司保留更改产品结构不另行通知的权利.

安装必备工具:

活动扳手、内六角扳手、冲击钻、锤子、防护镜、生胶带。

安装注意事项:

1. 本产品已经出厂检测及调试,请勿自行拆卸。
2. 当您在钻孔和安装时请注意安全。

Precautions before installation:

Please ensure there no hidden service pipes and cables where you intend to drill.

We reserves the right to alter the product structure without any notice.

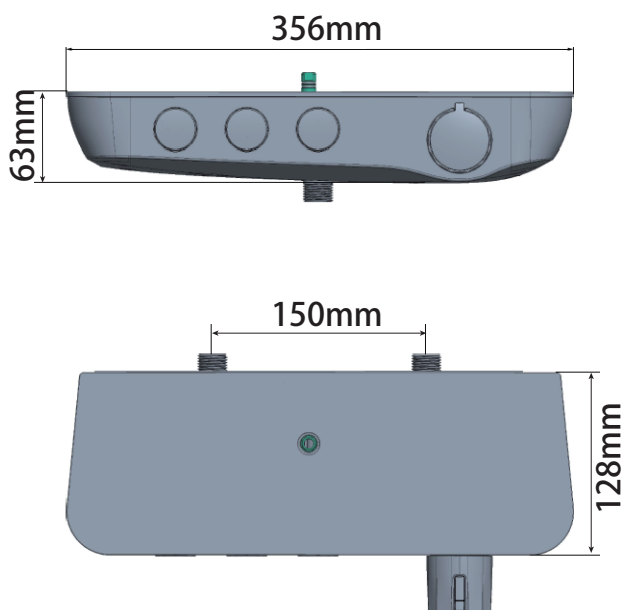
Installation tools: Adjustable wrench, Allen key, impact drill, hammer, protective glasses, teflon tape.

Installation notes:

1. The product have been passed the functionality test before ex-factory factory. Please do not dismantle by yourself at will;
2. Please be careful of your safety while drilling and installing.

产品尺寸:

Product Dimension:



技术参数



工作压力:

最小: 0.05Mpa

最大: 0.5Mpa

建议: 0.15Mpa-0.5Mpa

如供水压力超过0.5Mpa, 建议安装限压阀
冷热供水的压力差不大于0.15Mpa。



工作温度:

热水: 45°C-85°C, 建议使用温度55°C-65°C

冷水: 4°C-29°C



进水端接口: G1/2"

Technical Specifications



Operating Pressure:

Min:0.05Mpa

Max 0.5Mpa

Recommended:0.15Mpa-0.5Mpa

Recommended installation of a pressure limiting valve if supply exceeds 0.5Mpa.

Pressure difference between hot and cold supply:
0.15Mpa maximum



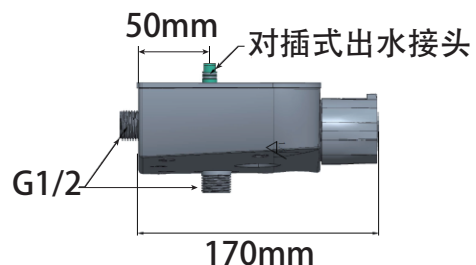
Operating Temperature:

Hot:45°C-85°C, recommended 55°C-65°C

Cold:4°C-29°C

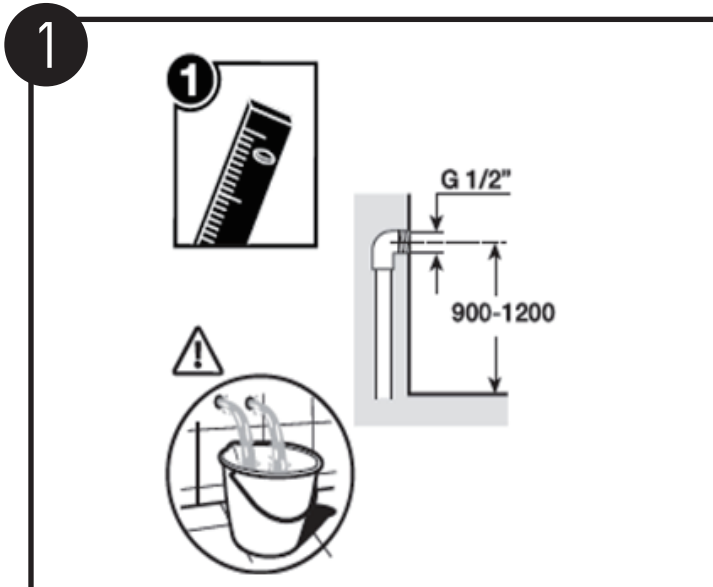


Inlet Connections: All G1/2"



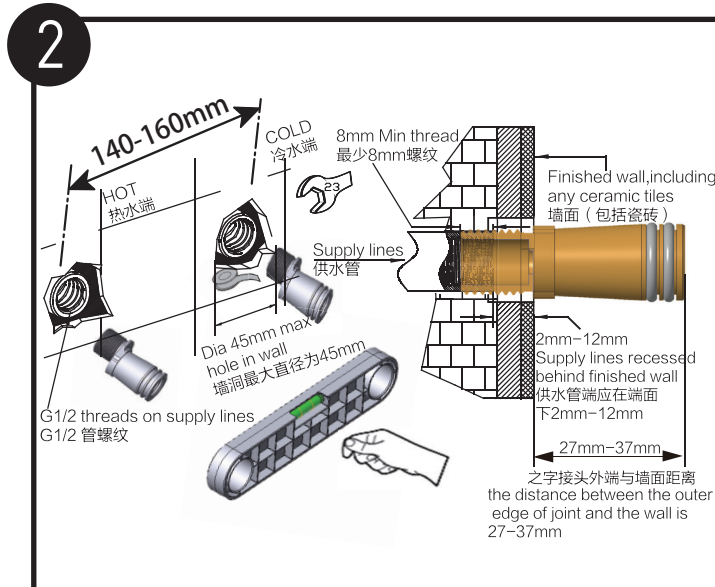
MOEN® 摩恩

产品安装说明 Installation instructions:



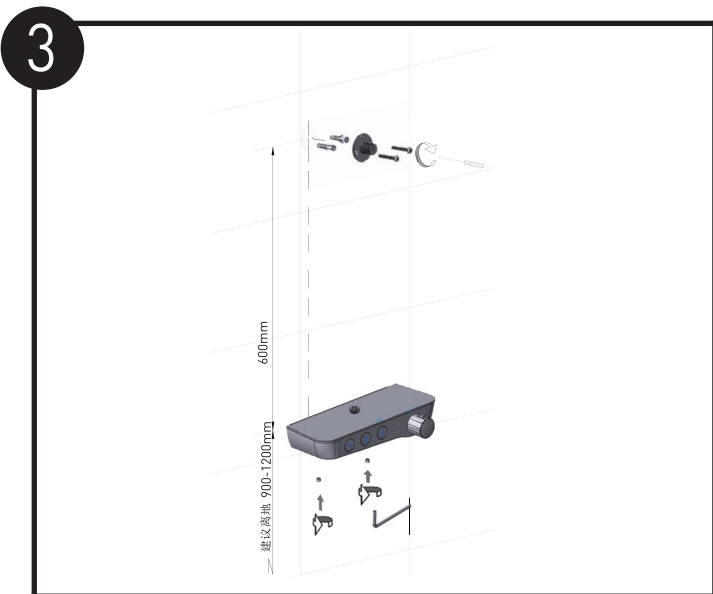
1. 请保证安装时与墙体保持垂直。
2. 打开总阀开关进行冲水，确保管道杂物已冲洗干净后关闭总阀，再进行安装。

1. Please ensure the installation is vertical to the wall.
2. Turn on the main valve. Ensure the pipework is thoroughly flushed before installation.



调节出水接头定位工具可以套在接头上并且定位工具上的水平仪的气泡在中间位置，预埋水管，需左热右冷。

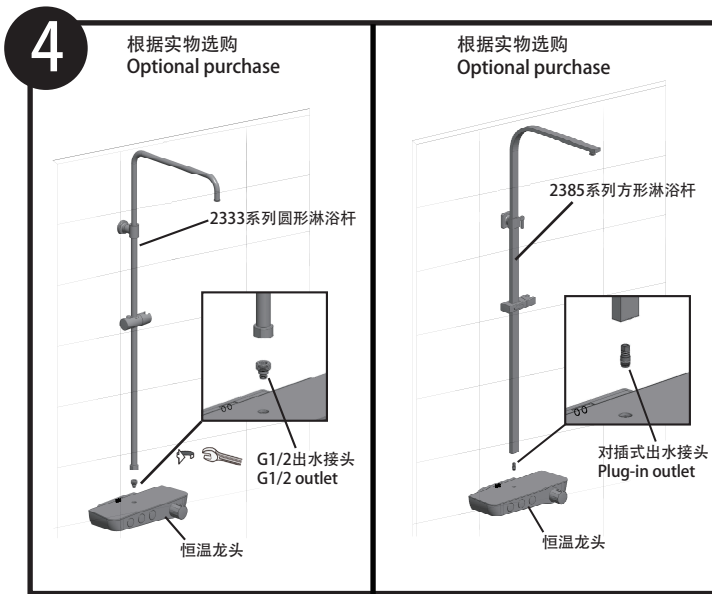
Adjust the connectors and ensure the positioning tools can be used and its bubble can be in the middle. The water pipe should be hot on the left and cold on the right.



1. 先移除M6顶丝。
2. 用扳手将置物盒底部螺丝锁紧，使龙头背部贴紧墙面。
3. 淋浴杆请参照淋浴杆说明书进行安装。
注意：淋浴杆为选购件，需要用户自行购买。

1. Remove the set screw.
2. Use the allen key to fasten the screws of the shelf mixer and make it close to the wall.

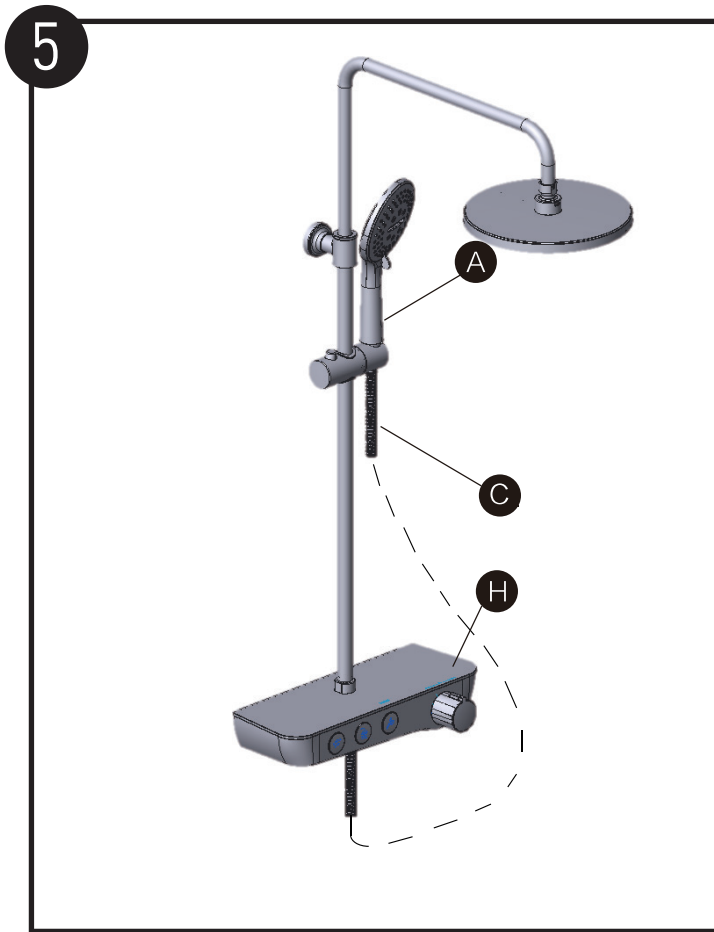
3. For the shower bar, please refer to its installation instruction
Note: The shower bar should be prepared by user.



将所选购的淋浴杆安装完成后，将其与恒温龙头相连接。
注意：顶喷及淋浴杆为选购件，需要用户自行购买。
2333系列圆形淋浴杆需接G1/2出水接头，2385系列方形淋浴杆需接对插式出水接头。

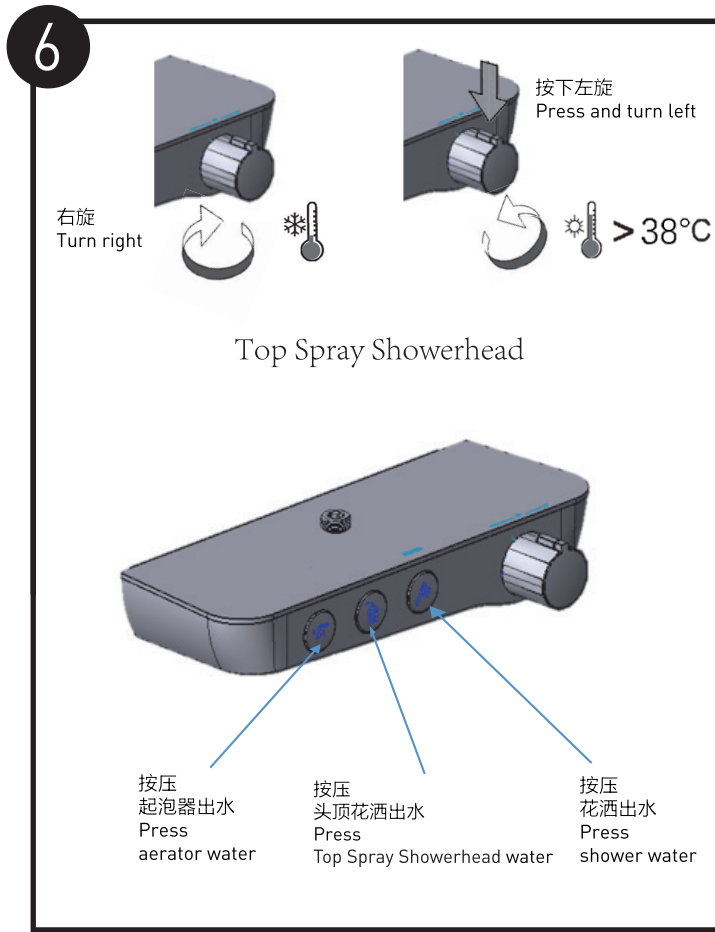
When the shower bar complete installation, connect the thermostatic faucet with it.

Note: The rain shower and shower bar should be prepared by user.
The 2333 series circular shower bar needs to be connected to a G1/2 outlet.
The 2385 series square shower bar needs to be connected to a plug-in outlet.



将软管 (C) 带六角螺母一端与恒温龙头出水口连接拧紧, 另一端与手持花洒 (A) 连接拧紧。将手持花洒放置在滑座卡槽内。

Connect one end of the hose (C) with a hexagon nut to the water outlet of the thermostatic faucet and tighten it, and connect the other end to the hand shower (A). Place the hand shower in the slide slot



Top Spray Showerhead

★安装后请检查各连接处是否连接紧密、管道是否有泄露, 整体安装是否牢固。确定各部良好后放水试用, 检查连接处是否漏水。

警告: 当您使用本产品进行淋浴时, 请先开启冷水, 然后再开启热水, 以免烫伤!

After installation, please check whether the connection is tight, whether the pipeline has leakage, and whether the overall installation is firm. After confirming that all parts are in good condition, drain water for trial use and check whether the joints are leaking.

Warning: When you use this product for showering, please turn on the cold water first, and then turn on the hot water to avoid scalding!

产品售后保修条款

摩恩产品是在高质量标准及生产工艺下制造的，摩恩承诺为消费者购买的洁具产品提供有期限免费保修及终身维修服务。

龙头免费保修期为：阀芯5年，电磁阀感应器2年，其它附件如淋浴杆、软管、花洒、落水、把手、装饰盖、提拉杆、混水器等保修期均为1年有限。均自消费者购买日（以摩恩产品分销商开具的发票或收据上载明日期为准）起计。

免费保修范围为产品及产品配件（如淋浴杆、软管、花洒、落水、把手、装饰盖、提拉杆、混水器等）由于材质及工艺原因而造成的故障或损坏。免费保修期内，我们将无偿为您提供修理服务及更换发生故障的产品或产品配件。摩恩的售后服务责任仅限于对故障产品的修理，而不延及您因产品故障而发生的其他损失，法律另有规定的除外。

您需了解：产品外观碰伤、刻划痕迹，以及滥用及不正当保养所导致的故障或损坏，均不属于免费保修范围。即使在免费保修期内，属下列（1）-（5）情况之一的，需酌情收取修理费用：

1. 不能出示相符的保修卡和有效购买凭证情况的，
2. 未按使用说明书告知的使用方法和注意事项造成的故障，
3. 自行拆卸、维修、改装所造成的故障和损坏，
4. 由于不可抗力等外部原因引起的故障和损坏，
5. 由于运输、搬运、挤压等造成的损坏。

对于保修期外或不在保修范围内的产品，如需维修，摩恩将酌情收取上门费、人工费及材料费。

本保修条款仅对原始消费者和酒店行业的购买者有效，并不适用于本产品工业、商业、贸易和非酒店行业的使用。

如对本保修条款内容有任何疑问，请拨打400 630 8866 咨询热线，或向当地分销商咨询。

MOEN LIMITED WARRANTY

We offer limited warranty and lifetime maintenance for Moen products, which are all manufactured with high standards of workmanship.

The period of warranty shall start from the date of purchase of the product (according to the invoice or receipt issued by Moen distributors) and shall cover a period of the following: the warranty period for cartridge is 5 years, the warranty period for solenoid valve sensor is 2 years, the warranty period of other accessories such as shower bar, hose, shower, drain assembly, handle, cover, lift rod, aerator etc. is 1 year.

This warranty is your coverage against material and workmanship malfunction or defects in Moen products or components (such as shower bar, hose, shower, drain assembly, handle, cover, lift rod, aerator etc.). During the warranty period, we offer free maintenance and changing of malfunctioned products or product components. Moen's after sales service liability is limited to the maintenance of faulty items and does not cover your other losses caused by product malfunction, except for otherwise stipulated by law.

Cosmetic damages (scratches, dents, etc.) and malfunction or defects caused by abuse or improper maintenance is not covered by this warranty. Although the warranty period remains valid, in case of the following conditions (1) - (5), the maintenance cost (material cost and labor cost) shall still be charged as the case may be:

1. Corresponding warranty card and valid invoice cannot be presented;
2. Faults were caused by the incompliance with the instructions and precautions provided in the user's manual;
3. Damages and faults were caused by self-actuated dismantling, repair and refit;
4. Faults and damages were caused by external factors such as force majeure;
5. Damages were caused by transportation, unloading and extrusion, etc.

This warranty is valid for the original consumers only (including hotel use), and excludes industrial and commercial use of the product (except for hotel use). This card is only responsible for product maintenance rather than any other liabilities.

In the event that the product requires maintenance but exceeds the warranty period, or that the product is not covered by this warranty, labor cost and material cost shall be charged as the case may be.

Please call 400-630-8866 or contact local dealer for any question.

MOEN® 摩恩

合格证 Compliance Certification

恒温龙头套装

产品名称 Push Button Thermostatic
Product Name Tub Shower Faucet

检验员
Inspector

生产日期
Date of Production

富俊汇赢科技（上海）有限公司
中国（上海）自由贸易试验区新杨公路
1800弄1号4幢207室
邮编：201413

Fortune Brands Innovations (Shanghai) Co., Ltd
Room 207, Building 4, No.1, Lane 1800, Xinyang Highway,
China (Shanghai) Pilot Free Trade Zone