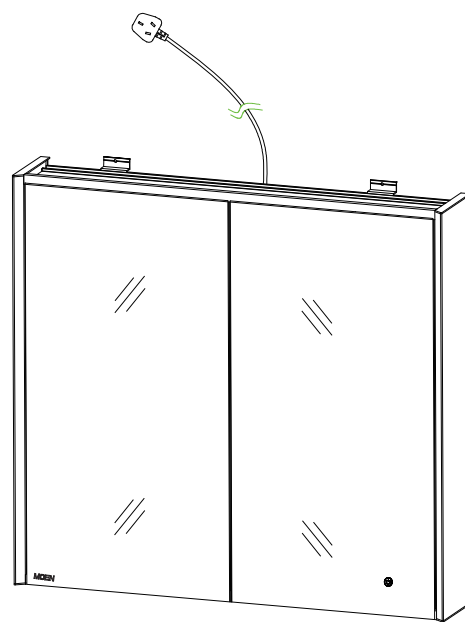


## 带灯镜柜 普乐系列 安装使用说明书

### Mirror Cabinet with LED PURITY Series INSTALLATION INSTRUCTIONS



如需安装支持，配件丢失等，请联系MOEN。  
(中国) 400-630-8866  
www.moen.cn

PLEASE CONTACT MOEN FIRST  
For Installation Help, Missing or Replacement  
Parts  
(China)400-630-8866  
www.moen.cn

#### 推荐工具

为了安全和让安装和替换变得容易，Moен建议  
您使用以下工具：

#### HELPFUL TOOLS

For safety and ease of replacement, Moен  
recommends the use of these helpful tools.



图片仅供参考  
(款式因型号而异)

Image is for reference only  
(Style varies by model)

记录购买的型号：  
(保存安装说明书以备将来参考)

Record Purchased Model Number:  
(Save instruction sheet for future reference)

## 安装前注意事项

- 请仔细阅读本说明书，以便熟悉所需工具、物料、安装过程。请按照适用的章节来安装本产品，以免安装失当导致不必要的损失。除了正确的安装方法之外，请详阅所有操作及安全指引。
- 本说明书所载的一切资料，均以印刷时所有之最新产品情况为基础，MOEN保留对产品进行修改、改进的权利，技术参数如有更改，恕不另行通知。
- 在安装MOEN产品之前，请先确认所有必须的电气工作均已完成。并确认遵循制造商相关电动工具的安全的指令。
- 安装之前，仔细检查产品是否有损伤。
- MOEN产品性能卓越，经久耐用。为保证产品品质，请按照此说明书中推荐的方法进行安装，启用，操作和维护。
- 强烈要求输入电源（输入：220V-240V）必须带有地线及漏电开关。⊕
- 灯板内有高压电设备，非专业人士请勿拆开。⚠
- Y型连接：如果此灯具的外部软缆或软线损坏了，该线要由制造商或其服务代理商或有类似资格的人更换，以避免发生危险。
- 不可替换光源：此灯具的光源是不可替换的；当光源到其寿终时，应替换整个灯具。

## Precautions before Installation

- Please read this manual carefully to familiarize with the required tools, materials, and installation. Please install this product in accordance with the applicable chapters to avoid unnecessary losses. In addition to the installation method, please read all operation and safety guidelines.
- All information contained in this manual is based on all the latest product conditions at the time of printing. MOEN reserves the right to modify and improve the product. Technical parameters are subject to change without notice.
- Before installing products, please confirm that all necessary electrical work has been completed. And follow the manufacturer's safety instructions related to power tools.
- Before installation, check the product for damage.
- MOEN products are excellent in performance and durable. In order to ensure product quality, please follow the methods recommended in this manual for installation, activation, operation and maintenance.
- The glass laminate can carry up to 5kg articles.
- It is strongly required that the input power supply (input: 220 v-240 V) must be equipped with ground wire and leakage switch. ⊕
- There are high-voltage electrical equipment in the lamp board. Please do not disassemble it for non professionals. ⚠
- Y-type connection: if the external flexible cable or cord of the lamp is damaged, the cord shall be replaced by the manufacturer or its service agent or a person with similar qualifications to avoid danger.
- Non replaceable light source: the light source of this lamp is non replaceable; When the light source reaches its end of life, the entire lamp shall be replaced.



### 警告：有触电的危险。

请找合格的电工来进行所有的线路连接。



### WARNING: Risk of electrical shock.

A licensed electrician should make all electrical connections.



### 警告：有触电的危险。

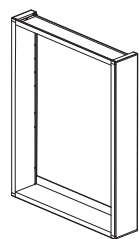
工作之前先切断电源。



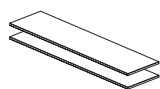
### WARNING: Risk of electrical shock.

Disconnect power before servicing.

## 零件清单 Parts List

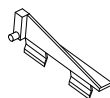


箱体 1件  
Box x1



镜柜玻璃层板  
Mirror cabinet  
Glass shelves

2件  
x2



镜柜层板托  
Mirror cabinet  
Shelf clip

4件  
x4



顶码 2件  
Top clips x2



底码 1件  
Mounting Bar x1



上墙胶粒 4颗  
Expanded colloidal particles x4



M4x45上墙螺丝 4颗  
M4x45 Screw x4

注：BCM11-600A2SL和BCM11-600A2BL 带灯镜柜A2只有1件玻璃层板，2件层板托。  
Note: BCM11-600A2SL and BCM11-600A2BL Mirror cabinet only has 1 pc glass shelf and 2pcs shelf hardware.

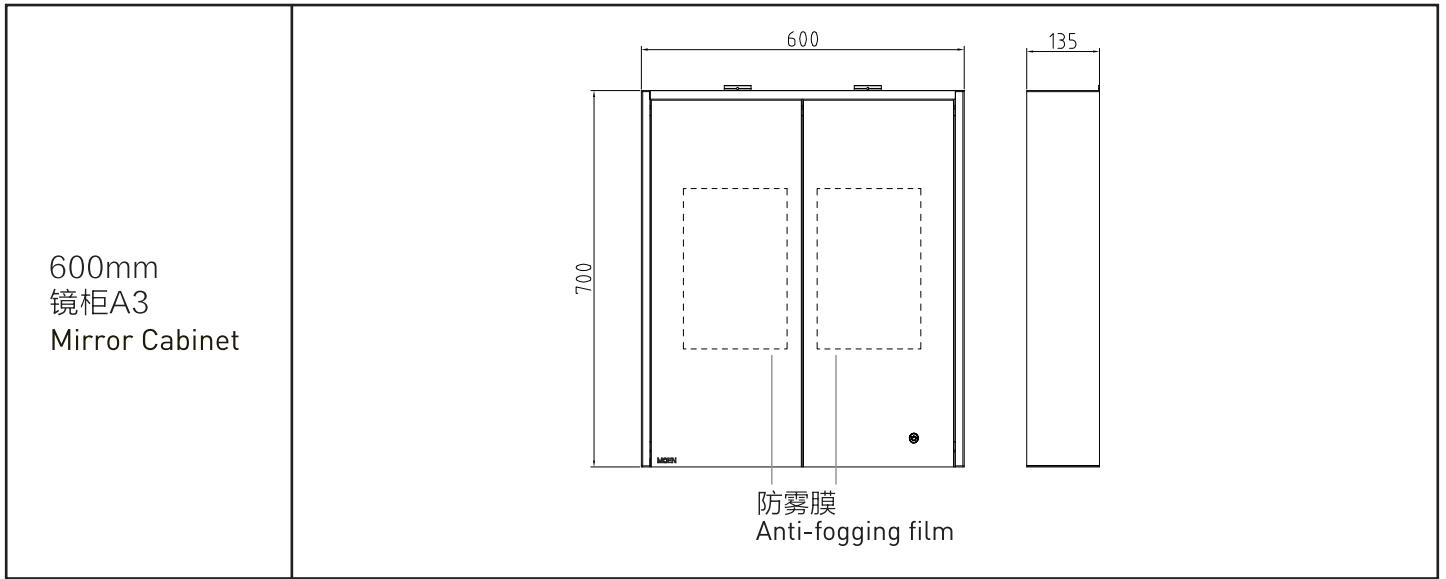
## 订购信息 Ordering Information

BCM11-600A3SL 600mm镜柜带灯A3 (亚银)	BCM11-600A3SL 600mm Mirror Cabinet with LED A3 (Silver)
BCM11-600A3BL 600mm镜柜带灯A3 (墨黑)	BCM11-600A3BL 600mm Mirror Cabinet with LED A3 (Ink Black)
BCM11-600A2SL 600mm镜柜带灯A2 (亚银)	BCM11-600A2SL 600mm Mirror Cabinet with LED A2 (Silver)
BCM11-600A2BL 600mm镜柜带灯A2 (墨黑)	BCM11-600A2BL 600mm Mirror Cabinet with LED A2 (Ink Black)

## 尺寸图 Rough-in Dimension

单位 Unit

产品名称 Product Name	示意图 Diagram
600mm 镜柜A2 Mirror Cabinet	<p>防雾膜 Anti-fogging film</p>



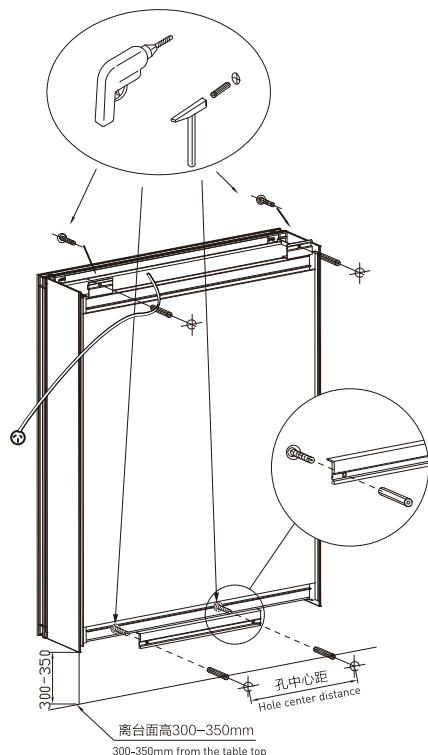
注：摩恩公司保留随时变更图中尺寸的权利，无需另行通知。

Note: MOEN reserves the right to change marked dimensions without prior notice.

## 镜柜安装

### 安装上墙码

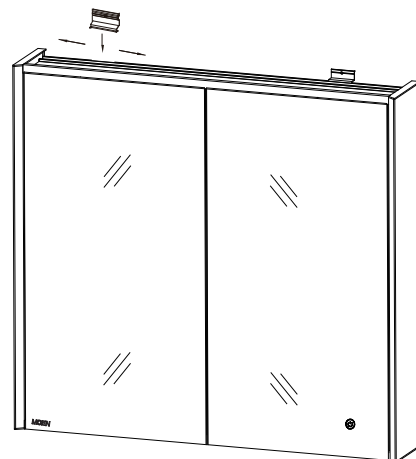
1. 拿出底码，水平放置。
2. 按底码上的孔距进行钻孔。先固定好底码，将柜体放在底码上。
3. 将顶码向两边推到尽头（见下图），用螺钉固定。
  - 固定位置时注意用水平尺调整好水平度。
  - 不同墙面需要不同型号的膨胀螺丝，请使用合适型号的膨胀螺丝和钻头，摩恩只提供标配的膨胀螺丝，其它型号螺丝请另外购买。
 （摩恩标配的膨胀管为直径8mm的膨胀管，请使用钻头钻直径8mm的挂墙孔。）



## Install Mirror Cabinet

### Install Top Clip

1. Take out the mounting bar and put level.
2. Drill holes according to the hole spaces. Fix the mounting Bar first and then put the cabinet on the mounting Bar.
3. Push top clips to both sides to the end, and then fix with screws.
  - When fixing the position, adjust the levelness with a spirit level.
  - Different types of expansion screws are required for different walls. Please use the appropriate expansion screw and drill. Moen only provides the standard expansion screw, other types of screws should be purchased separately.
 (The standard expansion pipe of Moen is a 8 mm diameter expansion pipe. Please use a drill to drill a 8 mm diameter wall hole.)



## 孔中心距 Hole Center Distance

型号 / SKU	产品名称 / Product Name	孔中心距 / Hole Center Distance
BCM11-600A3SL	600mm镜柜带灯A3 (亚银)	290mm
BCM11-600A3BL	600mm镜柜带灯A3 (墨黑)	290mm
BCM11-600A2SL	600mm镜柜带灯A2 (亚银)	290mm
BCM11-600A2BL	600mm镜柜带灯A2 (墨黑)	290mm

### 安装玻璃层板

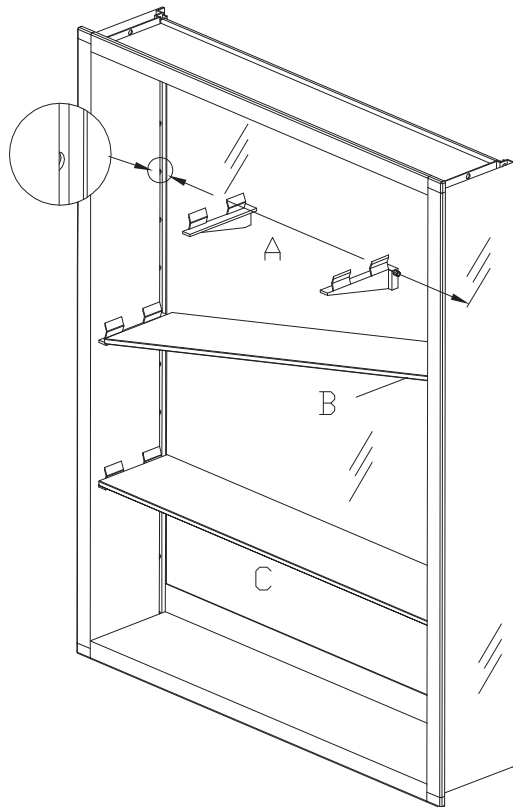
按照下图A-B-C的顺序依次固定玻璃层板。

1. 将嵌入式层板托插入两边侧孔。装层板托要注意使左右孔对应。
2. 倾斜层板，使其任意一端先放进层板托，另一端再压下卡稳。

### Install Shelf Clip

Fix the Glass shelves in the order of A-B-C.

1. Insert the snap-in pins into the side holes. The right hole and left hole must be matched.
2. Tilt the Glass shelves and insert one end into the supporting plate, and press down another end and fix it.



## 门铰链的拆卸、安装和调节

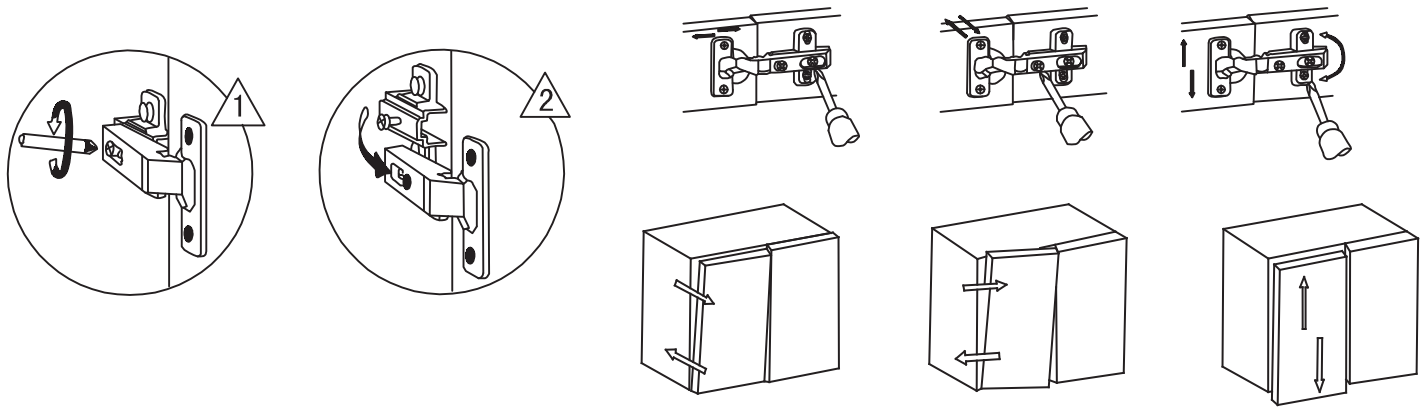
摩恩浴室柜使用了快装铰链，使用卡紧装置安装门铰链，拆卸过程相反。

按照下图所示三向调节所有的门板铰链，使门板水平整齐。门板与门板间隙均匀，门板与柜体之间严丝合缝。

## Remove, Install and Adjust Hinge

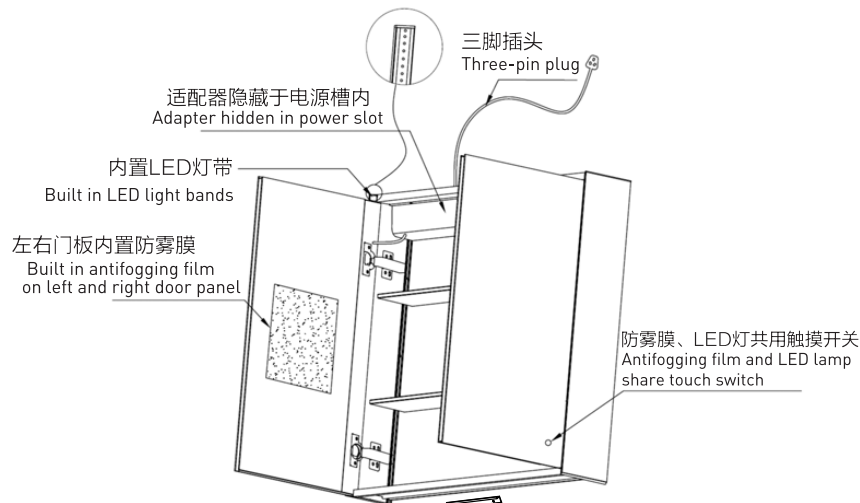
Moen Mirror cabinet uses quick mounting hinge, and uses clamping device to install door hinge. The disassembly process is opposite.

Adjust all door hinges in three directions as shown in the figure below to make the door panels level and neat. The gap between the door panel and the door panel is even, and the door panel and the cabinet body are tightly connected.



## 电器部件清单 List of Electrical Components

序号 Number	电器功能 Electrical Function	规格描述 Specification Description	位置 Position
1	三脚插头 Three-pin plug	交流电压: 220V 额定电流: 5A AC voltage: 220 V, rated current: 5A	镜柜顶部 Top of mirror cabinet
2	LED灯 Led light	输入电压: 直流电压12V, 功率Pmax: 7.78W LED 4000K Input voltage: DC voltage 12 V, Power Pmax: 7.78w LED 4000K	左右门板 Left and right door panel
3	防雾膜 Antifogging film	输入电压: 直流电压12V, 功率Pmax: 30W Input voltage: DC voltage 12 V, Power Pmax: 30W	大门板 Big door panel
4	触摸控制开关 Touch control switch	防雾膜、LED灯共用触摸开关 Antifogging film and LED lamp share touch switch	大门板的中下部 Middle and lower part of gate plate
5	适配器 Adapter	输入: 交流电压220-240V 电流3.33A 输出: 直流电压12V 电流3.15A Input: AC voltage 220-240V, current 3.33A Output: DC voltage 12V current 3.15A	镜柜箱体顶部电源槽内 Top of mirror cabinet In the power supply slot



## 镜柜的保养

### 镜柜使用环境要求

- **干湿分离的卫生间：**淋浴间和其它区域相分隔，淋浴的水不会四处飞溅，是配置浴室柜的最佳环境。
- **非干湿分区的卫生间：**镜柜较易被溅水或受潮，其柜体基材可能会发霉膨胀，从而影响使用寿命。
- **日常使用注意事项：**
  - a. 保持卫生间的空气流通及地面的干燥。
  - b. 不允许水溅落到浴室柜柜体上。如果不小心沾上水，要及时用干抹布擦干，保持柜体干爽洁净。

### 日常清洁与保养

- 切勿让儿童爬上浴室柜或承受重压，以防发生危险或造成损坏。
- 镜柜使用时，不可任意被水浇、溅。如有水迹，请及时用干布擦干。
- 镜柜是由玻璃镜和铝材制造出来的，只能柔软的潮布清洁。清洁时请将水喷在布上，而不是玻璃镜上，含氨或酸的清洁剂会损坏玻璃镜。
- 千万不要用磨砂型清洁剂擦拭镜柜任何地方。
- 镜门保养：用软布定期清洁、擦拭，洗浴后的冷凝水蒸汽用干布擦净，保持门板干爽。
- 照明灯等电器要确保绝缘、防潮。

## Mirror Cabinet Maintenance

### Use Environmental Requirements

- **The toilet is separating dry space from moist space:** The shower room is separated from other areas. It is the best environment for configuring bathroom cabinet.
- **The toilet is not separating dry space from moist space:** The mirror cabinet is likely to be splashed or damp, and the base material of the cabinet body may become moldy and swell, which will affect the service life.
- **Daily Usage Considerations:**
  - a. Keep the air circulation in the toilet and dry the floor.
  - b. Do not allow water to splash on the cabinet body. If you accidentally get water, wipe it with a dry cloth in time to keep the cabinet dry and clean.

### Cleaning and Maintenance

- Do not allow children to climb on the mirror cabinet or bear heavy pressure to prevent danger or damage.
- Do not splash and pour water directly on the mirror cabinet. Wipe any splashes from surfaces immediately.
- The mirror cabinet door and interior are constructed of mirror and aluminum. Use only soft cloth to clean. Spray the cloth, not the mirror when cleaning. Mirrors are damaged by the use of ammonia or vinegar based cleaners.
- Use no abrasive cleansers on any part of the mirror cabinet.
- Maintenance: Clean and wipe door board regularly, and wipe the condensation vapor with dry and soft cloth.
- The electrical connection of lighting lamps and other electrical appliances should be insulated and moisture-proof.

## 产品售后保修条款

摩恩产品是在高质量标准及生产工艺下制造的，摩恩承诺为消费者购买的洁具产品提供有期限免费保修及终身维修服务。

镜柜免费保修期为1年，均自消费者购买日（以摩恩产品分销商开具的发票或收据上载明日期为准）起计。

免费保修范围为产品及产品配件由于材质及工艺原因而造成的故障或损坏。免费保修期内，我们将无偿为您提供维修服务及更换发生故障的产品或产品配件。摩恩的售后服务责任仅限于对故障产品的修理，而不延及您因产品故障而发生的其他损失，法律另有规定的除外。

您需了解：产品外观碰伤、刻划痕迹，以及滥用及不正当保养所导致的故障或损坏，均不属于免费保修范围。即使在免费保修期内，属下列（1）-（5）情况之一的，需酌情收取修理费用：

1. 不能出示相符的保修卡和有效购买凭证情况的，
2. 未按使用说明告知的使用方法和注意事项造成的故障，
3. 自行拆卸、维修、改装所造成的故障和损坏，
4. 由于不可抗力等外部原因引起的故障和损坏，
5. 由于运输、搬卸、挤压等造成的损坏。

对于保修期外或不在保修范围内的产品，如需维修，摩恩将酌情收取上门费、人工费及材料费。

本保修条款仅对原始消费者和酒店行业的购买者有效，并不适用于本产品工业，商业，贸易和非酒店行业的使用。

如对本保修条款内容有任何疑问，请拨打400 630 8866 咨询热线，或向当地分销商咨询。

## MOEN LIMITED WARRANTY

We offer limited warranty and lifetime maintenance for Moen products, which are all manufactured with high standards of workmanship.

The period of warranty shall start from the date of purchase of the product (according to the invoice or receipt issued by Moen distributors) and shall cover a period of the following: The warranty period for mirror cabinet is 1 year.

This warranty is your coverage against material and workmanship malfunction or defects in Moen products or components. During the warranty period, we offer free maintenance and changing of malfunctioned products or product components. Moen's after sales service liability is limited to the maintenance of faulty items and does not cover your other losses caused by product malfunction, except for otherwise stipulated by law. Cosmetic damages (scratches, dents, etc.) and malfunction or defects caused by abuse or improper maintenance is not covered by this warranty. Although the warranty period remains valid, in case of the following conditions (1) - (5), the maintenance cost (material cost and labor cost) shall still be charged as the case may be:

1. Corresponding warranty card and valid invoice cannot be presented;
2. Faults were caused by the incompliance with the instructions and precautions provided in the user's manual;
3. Damages and faults were caused by self-actuated dismantling, repair and refit;
4. Faults and damages were caused by external factors such as force majeure;
5. Damages were caused by transportation, unloading and extrusion, etc.

This warranty is valid for the original consumers only (including hotel use), and excludes industrial and commercial use of the product (except for hotel use).

This card is only responsible for product maintenance rather than any other liabilities.

In the event that the product requires maintenance but exceeds the warranty period, or that the product is not covered by this warranty, labor cost and material cost shall be charged as the case may be.

Please call 400-630-8866 or contact local dealer for any question.

**MOEN® 摩恩**

**合格证**  
Compliance Certification

产品名称 带灯镜柜  
Product Name Mirror Cabinet with LED

检验员 \_\_\_\_\_  
Inspector \_\_\_\_\_

生产日期 \_\_\_\_\_  
Date of Production \_\_\_\_\_

富俊汇赢科技（上海）有限公司  
中国（上海）自由贸易试验区新杨公路  
1800弄1号4幢207室  
邮编：201413

Fortune Brands Innovations (Shanghai) Co., Ltd  
Room 207, Building 4, No. 1, Lane 1800, Xinyang Highway,  
China (Shanghai) Pilot Free Trade Zone