

# MOEN® 摩恩®

## 单孔面盆龙头

安装说明书

### Single Mount Lavatory Faucet

INSTALLATION INSTRUCTIONS

如需安装支持，配件丢失或替换等，请联系本公司。  
对于中国大陆以外的市场，请咨询当地经销商。  
(中国大陆) 400-630-8866  
(中国大陆) www.moen.cn  
(中国大陆以外) www.moen.com.hk

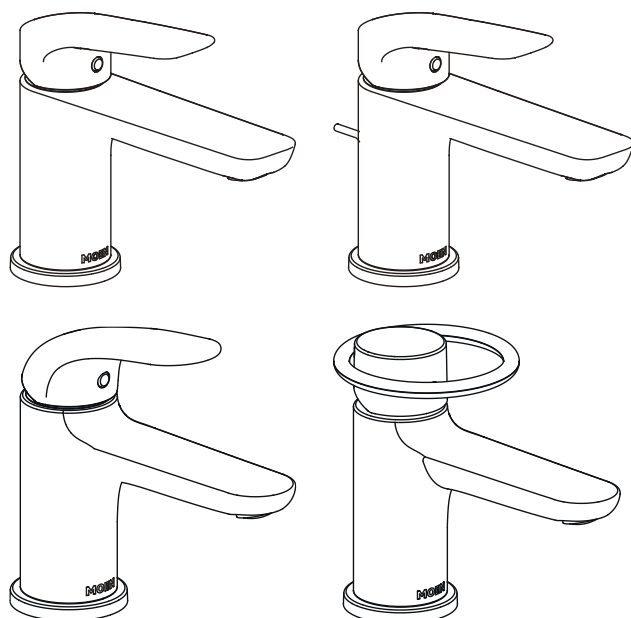
For installation support, missing or replacing parts, etc., please contact the company.  
For consumers in markets outside the Chinese mainland, please consult the local dealer.  
(Chinese Mainland) 400-630-8866  
(Chinese Mainland) www.moen.cn  
(Outside Chinese Mainland) www.moen.com.hk

#### 推荐工具

为了安全和让安装和替换变得容易，本公司建议您使用以下工具：

#### HELPFUL TOOLS

For safety and ease of installation and replacement, the company recommends the use of the following tools:



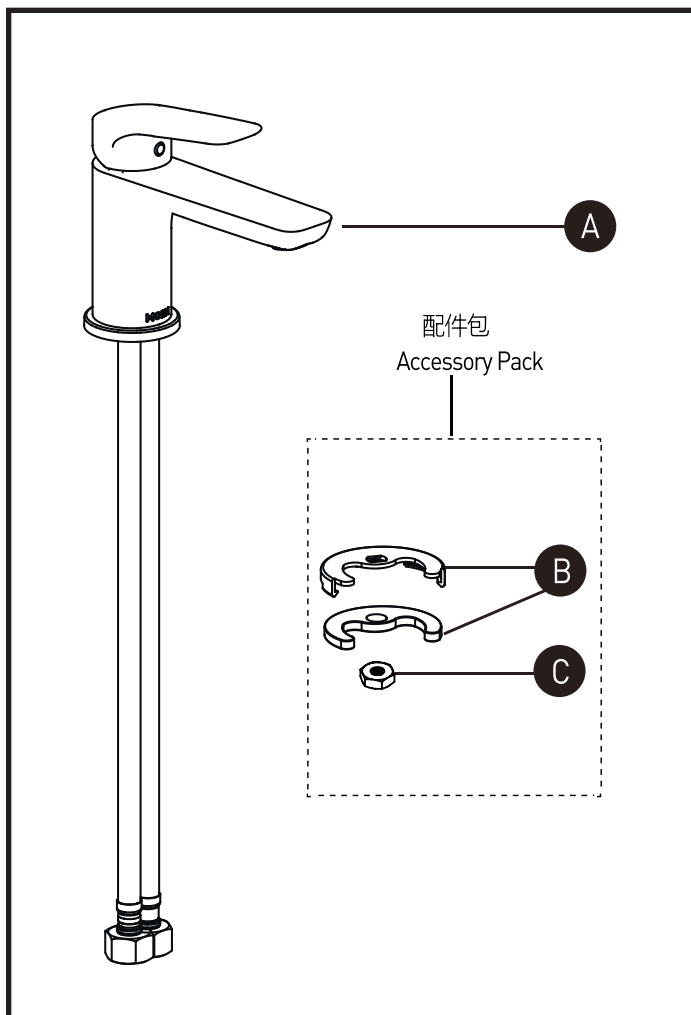
图片仅供参考  
(款式因型号而异)

Image is for reference only  
(Style varies by model)

记录购买的型号：  
(保存安装说明书以备将来参考)

Record Purchased Model Number:  
(Save instruction sheet for future reference)





零件清单

- A. 龙头本体
- B. 安装垫片
- C. 螺母

Parts List

- A. Faucet Body
- B. Install Gasket
- C. Nut



移除旧龙头注意事项:

拆除现有水龙头或拆卸阀门之前, 请务必先关闭供水。打开水龙头手柄以释放水压, 确保完全关闭水源。

**CAUTION — TIPS FOR REMOVAL OF OLD FAUCET:**

Always turn water supply OFF before removing existing faucet or disassembling the valve. Open faucet handle to relieve water pressure and ensure that complete water shut-off has been accomplished.

图标图例  
Icon Legend



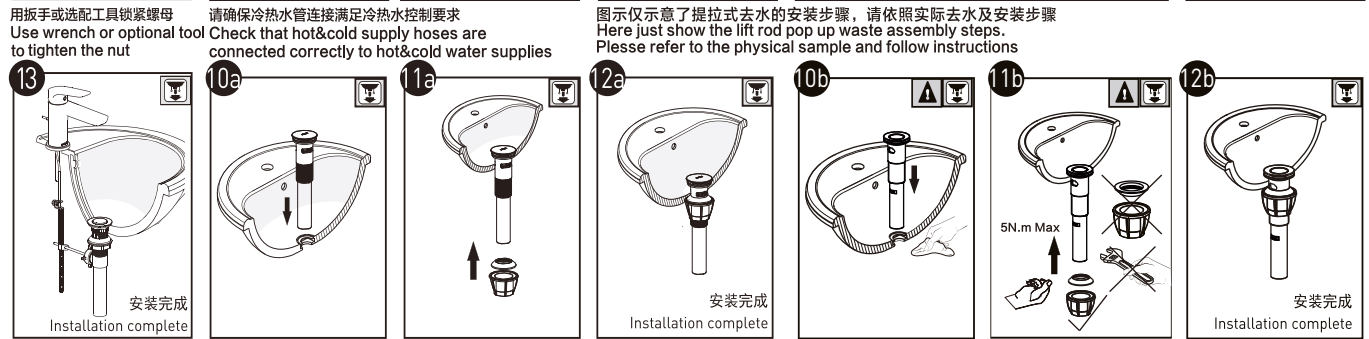
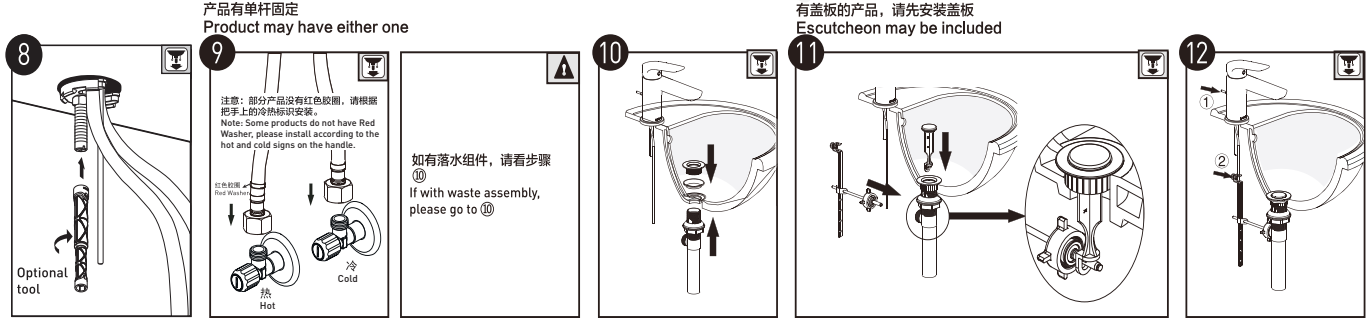
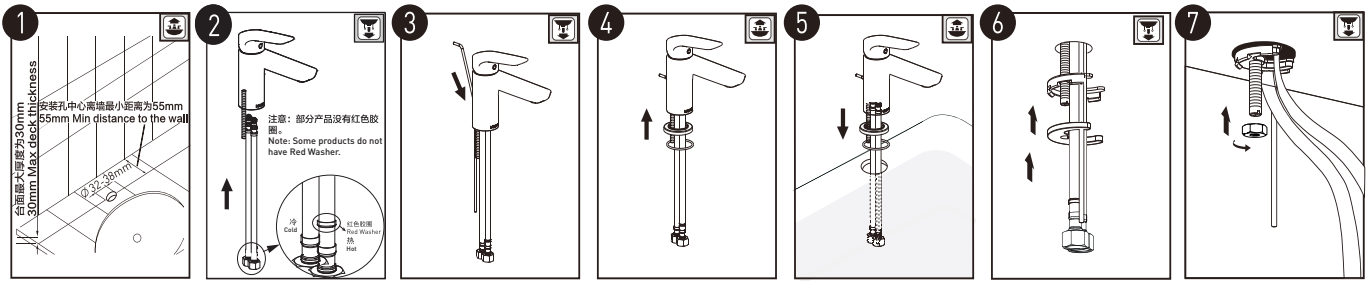
警告  
Warning



水槽上方  
Above sink

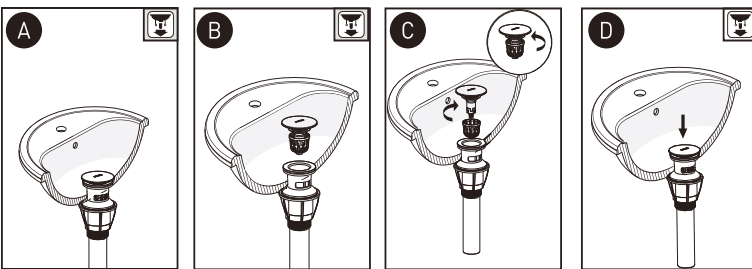


水槽下方  
Below sink



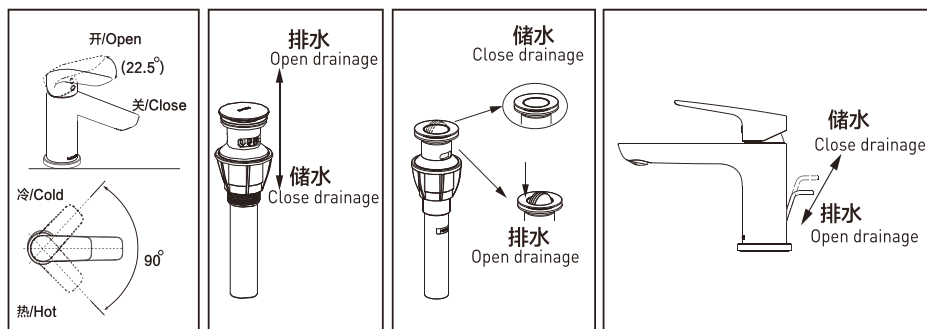
警告：  
1. 安装前清理台上和台下接触面  
2. 台下密封胶不能装反；  
3. 台下螺母建议徒手安装，禁止使用工具安装过紧，导致产品变形异常；  
4. 装在盆腔中心点，不要装的歪斜。

## 维护与保养 Maintenance



- Warning:
1. Clean counter-top and under-sink surfaces before installation.
  2. The under-sink seal ring must not be installed in reverse (ensure correct orientation).
  3. Hand-tighten under-sink nut manually. Tool overtightening causes structural deformation.
  4. Position centrally on the basin. Ensure no tilting.

## 产品使用说明和注意事项 Usage Instructions and Caution



## 产品售后保修条款

本产品是在高质量标准及生产工艺下制造的，本公司承诺为消费者购买的产品提供有期限免费保修及终身维修服务。龙头免费保修期为：阀芯5年，电磁阀感应器2年，其它附件如淋浴杆、软管、花洒、落水、把手、装饰盖、提拉杆、混水器等保修期均为2年有限。均自消费者购买日（以本产品分销商开具的发票或收据上载明日期为准）起计。免费保修范围为产品及产品配件（如淋浴杆、软管、花洒、落水、把手、装饰盖、提拉杆、混水器等）由于材质及工艺原因而造成的故障或损坏。免费保修期内，我们将无偿为您提供修理服务及更换发生故障的产品或产品配件。本公司的售后服务责任仅限于对故障产品的修理，而不延及您因产品故障而发生的其他损失，法律另有规定的除外。您需了解：产品外观碰伤、刻划痕迹，以及滥用及不正当保养所导致的故障或损坏，均不属于免费保修范围。即使在免费保修期内，属下列（1）-（5）情况之一的，需酌情收取修理费用：

1. 不能出示相符的保修卡和有效购买凭证情况的；
2. 未按使用说明告知的使用方法和注意事项造成的故障；
3. 自行拆卸、维修、改装所造成的故障和损坏；
4. 由于不可抗力等外部原因引起的故障和损坏；
5. 由于运输、搬运、挤压等造成的损坏。

对于保修期外或不在保修范围内的产品，如需维修，本公司将酌情收取上门费、人工费及材料费。

本保修条款仅对原始消费者和酒店行业的购买者有效，并不适用于本产品工业、商业、贸易和非酒店行业的使用。

如对本保修条款内容有任何疑问，请拨打400 630 8866 咨询热线，或向当地分销商咨询。对于中国大陆以外的市场，

此产品的保修及保障服务详情请咨询当地经销商。本公司对本产品保修拥有最终解释权。

## PRODUCT LIMITED WARRANTY

We offer limited warranty and lifetime maintenance for the products, which are all manufactured with high standards of workmanship.

The period of warranty shall start from the date of purchase of the product (according to the invoice or receipt issued by the company distributors) and shall cover a period of the following: the warranty period for cartridge is 5 years, the warranty period for solenoid valve sensor is 2 years, the warranty period of other accessories such as shower bar, hose, shower, drain assembly, handle, cover, lift rod, aerator etc. is 2 year. This warranty is your coverage against material and workmanship malfunction or defects in the products or components (such as shower bar, hose, shower, drain assembly, handle, cover, lift rod, aerator etc.). During the warranty period, we offer free maintenance and changing of malfunctioned products or product components. The company's after sales service liability is limited to the maintenance of faulty items and does not cover your other losses caused by product malfunction, except for otherwise stipulated by law. Cosmetic damages (scratches, dents, etc.) and malfunction or defects caused by abuse or improper maintenance is not covered by this warranty. Although the warranty period remains valid, in case of the following conditions (1) - (5), the maintenance cost (material cost and labor cost) shall still be charged as the case may be:

1. Corresponding warranty card and valid invoice cannot be presented;
2. Faults were caused by the incompliance with the instructions and precautions provided in the user's manual;
3. Damages and faults were caused by self-actuated dismantling, repair and refit;
4. Faults and damages were caused by external factors such as force majeure;
5. Damages were caused by transportation, unloading and extrusion, etc.

This warranty is valid for the original consumers only (including hotel use), and excludes industrial and commercial use of the product (except for hotel use). This card is only responsible for product maintenance rather than any other liabilities.

In the event that the product requires maintenance but exceeds the warranty period, or that the product is not covered by this warranty, labor cost and material cost shall be charged as the case may be.

Please call 400-630-8866 or contact local dealer for any question. For markets exclude Chinese mainland, the terms and conditions of warranty shall differ between product categories and countries. Please refer to warranty stated by local distribution.

The company shall have the final interpretation of the product warranties.

©2025 Fortune Brands Innovations Incorporated

