

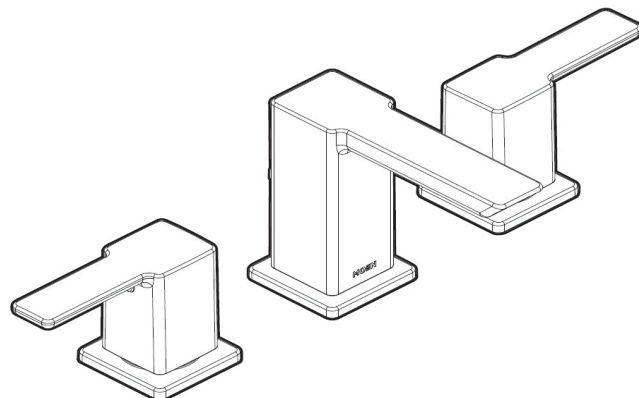
MOEN® 摩恩

双把手面盆龙头

安装说明书

Two-Handle Lavatory Faucet

INSTALLATION INSTRUCTIONS



如需安装支持，配件丢失等，请联系MOEN。
(中国) 400-630-8866

www.moen.cn

PLEASE CONTACT MOEN FIRST

For Installation Help, Missing or Replacement
Parts

(China) 400-630-8866

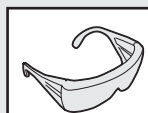
www.moen.cn

推荐工具

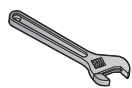
为了安全和让安装和替换变得容易，Moen建议您使用以下工具：

HELPFUL TOOLS

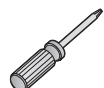
For safety and ease of replacement, Moen recommends the use of these helpful tools.



护目镜
Safety Glasses



活动扳手
Adjustable Wrench



十字螺丝刀
Phillips Screwdriver



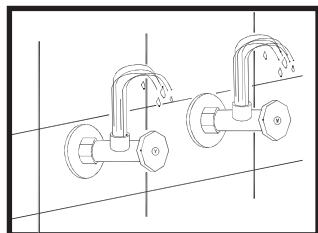
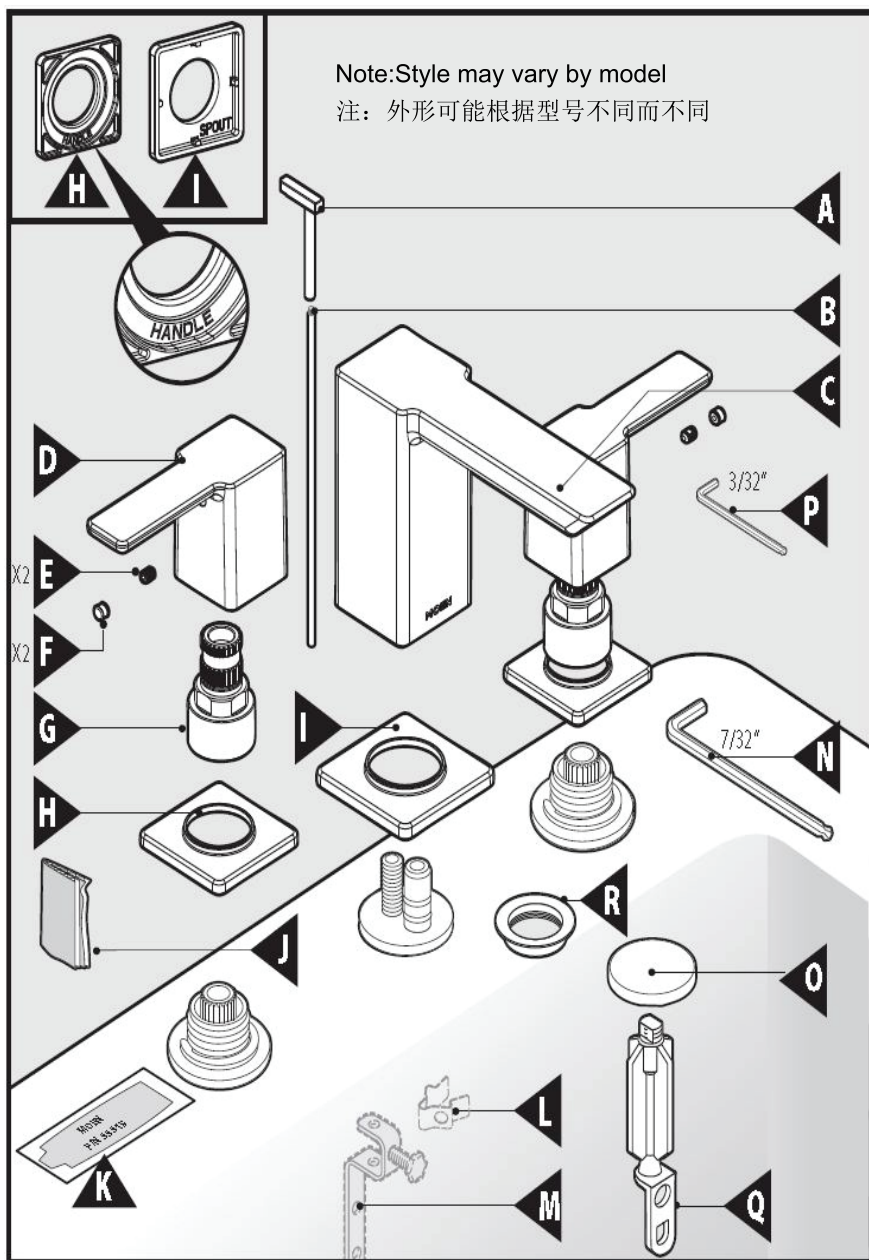
钳子
Pliers

图片仅供参考
(款式因型号而异)

Image is for reference only
(Style varies by model)

记录购买的型号：
(保存安装说明书以备将来参考)

Record Purchased Model Number:
(Save instruction sheet for future reference)



打开冷热供水，排水管内积累的残渣。否则将有损龙头。
Flush hot and cold water supply lines to remove any debris in the supply lines that has accumulated and could damage the faucet.

移除旧龙头注意事项:
拆除现有水龙头或拆卸阀门之前，请务必先关闭供水。打开水龙头手柄以释放水压，确保完全关闭水源。

CAUTION — TIPS FOR REMOVAL OF OLD FAUCET:

Always turn water supply OFF before removing existing faucet or disassembling the valve. Open faucet handle to relieve water pressure and ensure that complete water shut-off has been accomplished.

尊敬的顾客:

非常感谢您选用摩恩产品。本产品将在今后许多年中为您提供可靠的服务。每个摩恩产品均采用了高标准材料和新的生产工艺技术，因而每个摩恩产品都具有极好的耐用性。我们确信在今后许多年中，您都可以享受摩恩产品为您带来的舒适和方便。为了您的安装顺利，请仔细阅读这些指南。

安装和连接:

1. 本产品已经出厂检测及调试，请勿自行拆卸；
2. 请检查在您将要安装龙头的地方没有隐蔽的电缆和管道；
3. 安装前，请务必先清除墙体预埋水管内的杂质及污泥，以免影响出水功能！

敬告：在墙上钻任何孔时，请确保在您准备钻孔的地方没有隐蔽的管道和电缆！
申明：本公司保留更改产品结构不另行通知的权利。

清洗:

清洗本产品时需要小心。尽管本产品的表面镀层极其耐用，但仍有可能被尖利摩擦物或打光物损伤。清洗时只需要用湿布轻轻擦拭，然后用软毛巾拭下即可。

Installation and Connections

1. This product has passed functionality tests prior to leaving the factory. Please do not dismantle by yourself.
2. Please ensure there are no hidden service pipes and cables where you intend to drill.
3. Please ensure pipes are clear of debris to avoid any blockage that could affect quality of water spray.
4. Follow safety precautions while drilling and installing.

We reserve the right to alter the structure of the product without notice.

Cleaning

Cleaning of this product should be done regularly. Although the finish is extremely durable, it can be damaged by harsh abrasives or polish. To clean, simply wipe gently with a damp cloth, and dry with a soft towel.

