

MOEN® 摩恩

单孔固定面盆龙头

安装说明书

Single Mount Lavatory Faucet

INSTALLATION INSTRUCTIONS

如需安装支持，配件丢失等，请联系MOEN。
(中国) 400-630-8866
www.moen.cn

PLEASE CONTACT MOEN FIRST
For Installation Help, Missing or Replacement
Parts
(China) 400-630-8866
www.moen.cn

推荐工具

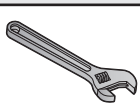
为了安全和让安装和替换变得容易，Moen建议您使用以下工具：

HELPFUL TOOLS

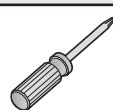
For safety and ease of replacement, Moen recommends the use of these helpful tools.



护目镜
Safety Glasses



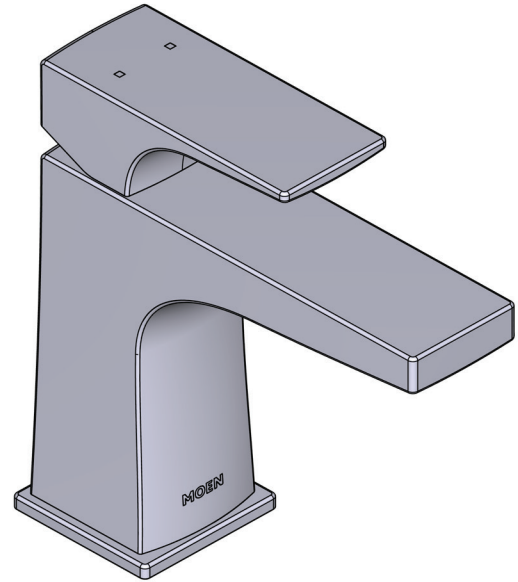
活动扳手
Adjustable Wrench



十字螺丝刀
Cross Screwdriver



剪线钳
Wire Cutters

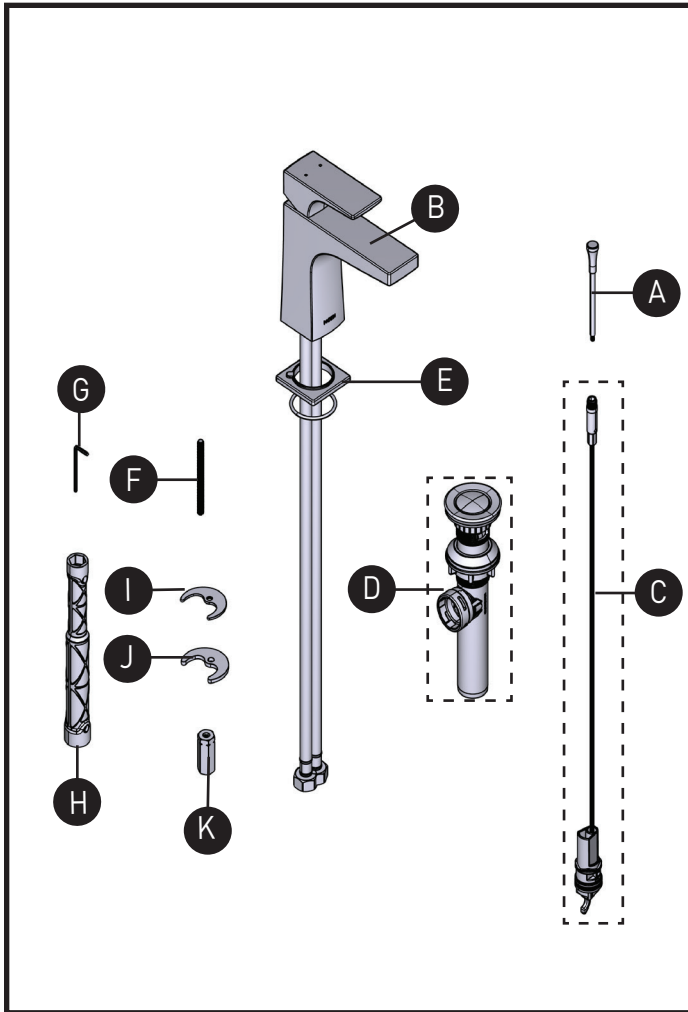


图片仅供参考
(款式因型号而异)

Image is for reference only
(Style varies by model)

记录购买的型号：
(保存安装说明书以备将来参考)

Record Purchased Model Number:
(Save instruction sheet for future reference)



零配件清单

- A. 提拉杆
- B. 水龙头主体
- C. 线控组件
- D. 去水组件
- E. 防水组件
- F. 安装螺杆
- G. 内六角扳手
- H. 套筒扳手
- I. 橡胶垫片
- J. 金属垫片
- K. 安装螺母

Parts List

- A. Lift Rod
- B. Faucet Body
- C. Rope Drain
- D. Drain Assembly
- E. Gasket & Escutcheon
- F. Mounting Screw
- G. Allen Key
- H. Mounting Tool
- I. Rubber Gasket
- J. Metal Gasket
- K. Mounting Nut

⚠ 移除旧龙头注意事项:

拆除现有水龙头或拆卸阀门之前, 请务必先关闭供水。打开水龙头手柄以释放水压, 确保完全关闭水源。

CAUTION — TIPS FOR REMOVAL OF OLD FAUCET:

Always turn water supply OFF before removing existing faucet or disassembling the valve. Open faucet handle to relieve water pressure and ensure that complete water shut-off has been accomplished.

图标图例 Icon Legend



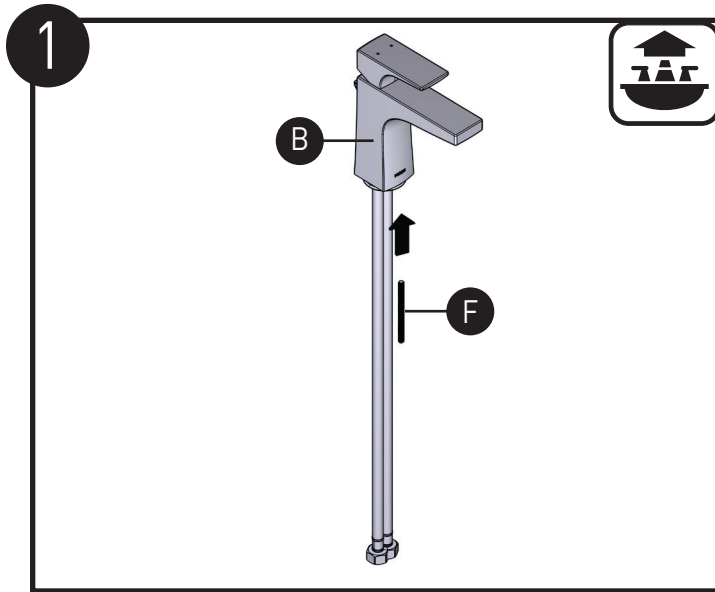
警告
Warning



水槽上方
Above sink

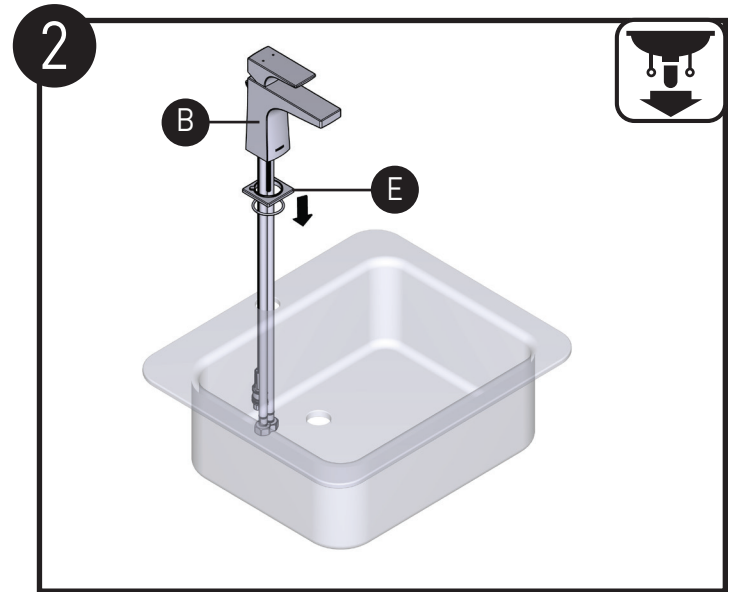


水槽下方
Below sink



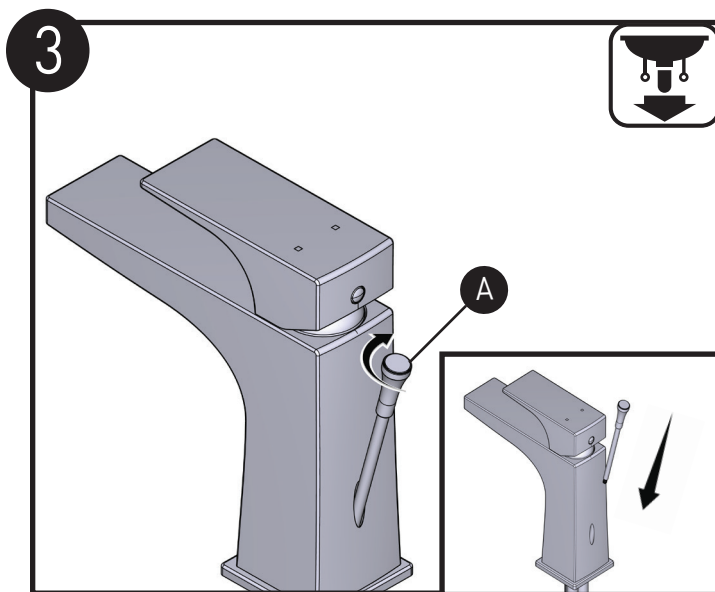
将安装螺杆 (F) 配件装入龙头主体 (B)。

Install Mounting Screw (F) into Faucet Body (B).



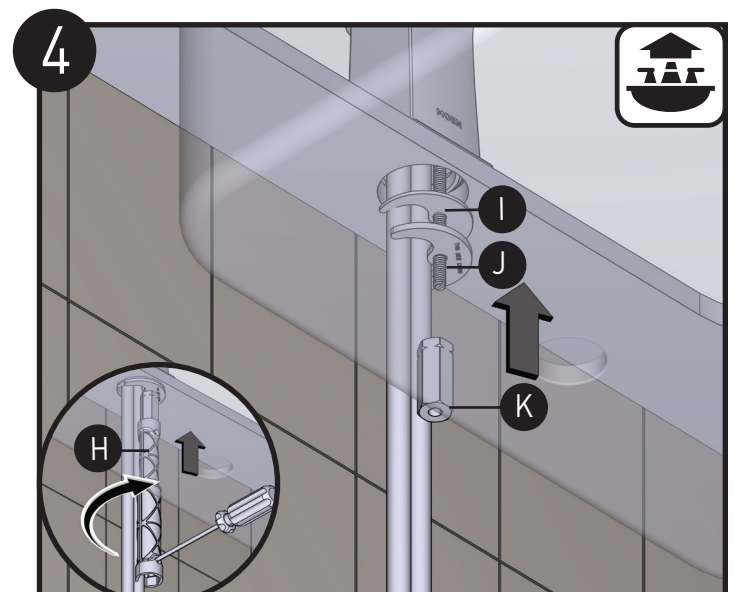
将防水组件 (E) 及龙头主体 (B) 放入面盆中。

Place Gasket & Escutcheon (E) onto the sink and push the Faucet Body (B) into the basin.



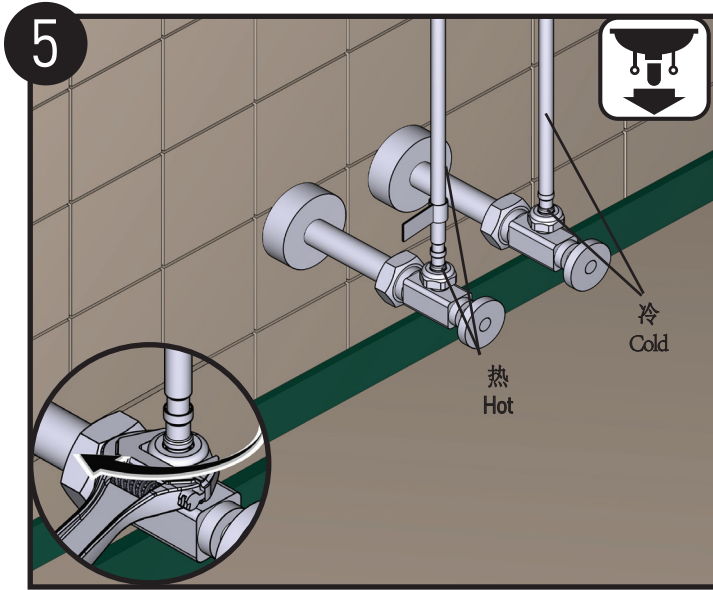
按如图所示的方法，将提拉杆 (A) 与线控组件连接。

Connect the Lift Rod (A) to the wire control assembly as shown in the figure.



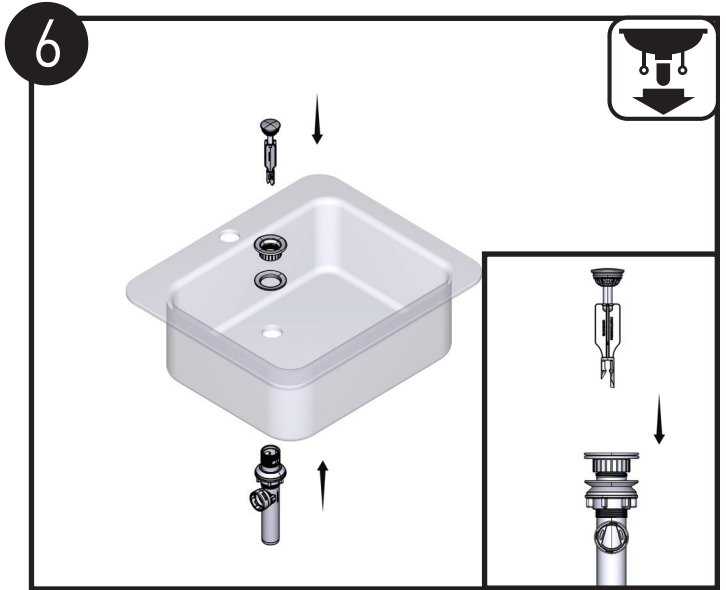
依次安装橡胶垫片 (I)，金属垫片 (J) 和安装螺母 (K)。用套筒扳手 (H) 锁紧安装螺母 (K)。

Install the Rubber Gasket (I), Metal Gasket (J) and Mounting Nut (K) in sequence. Tighten the Mounting Nut (K) with Mounting Tool (H).



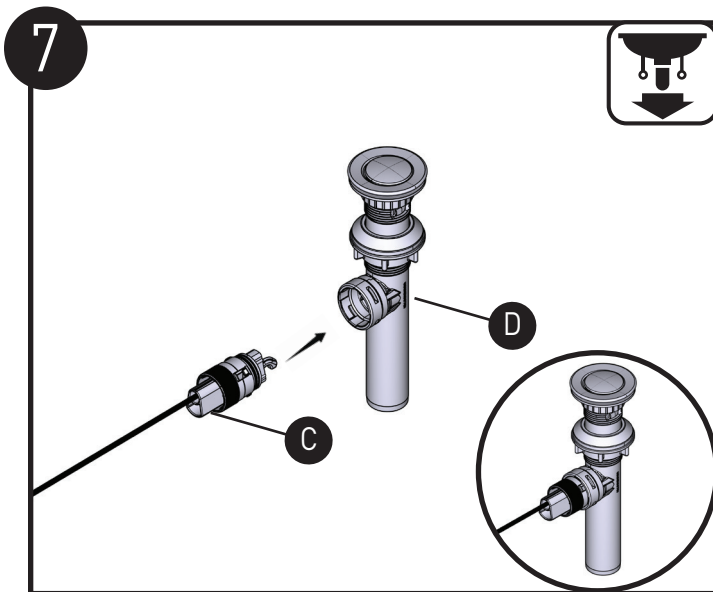
将水龙头冷热水管分别正确地连接到冷热进水口。

Check that hot and cold water supply lines are connected correctly to hot and cold supplies.



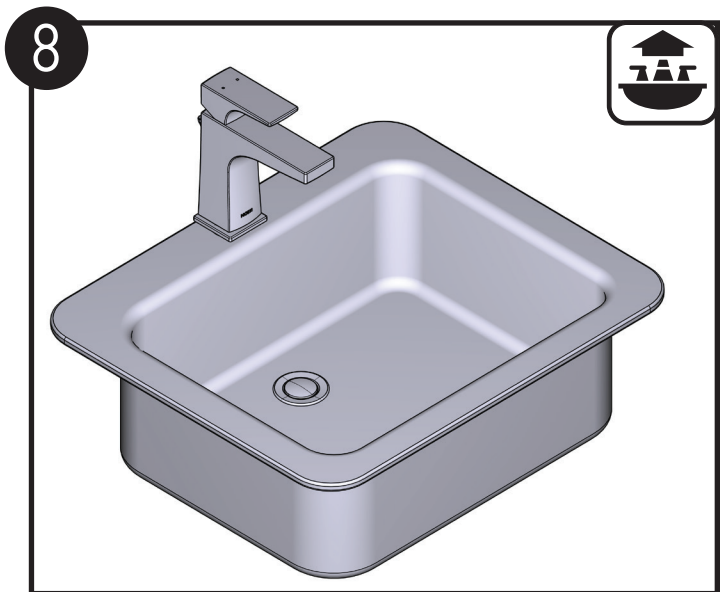
将去水组件 (D) 按如图所示顺序安装。注：水塞底部接口要与去水组件接口平行。

Install the Drain Assembly (D) in the order shown in the figure. Note: The bottom interface of the plug should be parallel to the Drain Assembly interface.



注意：将线控组件 (C) 插入时，要对准卡扣再内推。然后再顺时针旋紧。

Attention: When inserting the Rope Drain (C), align the snap and push in. And then tighten it clockwise.



安装完成。

Installation completed.

