

## 镜柜

### 思锐系列

安装使用说明书

## Mirror Cabinet SERENITY Series

### INSTALLATION INSTRUCTIONS

如需安装支持，配件丢失等，请联系MOEN。  
(中国) 400-630-8866

www.moen.cn

PLEASE CONTACT MOEN FIRST

For Installation Help, Missing or Replacement  
Parts

(China)400-630-8866

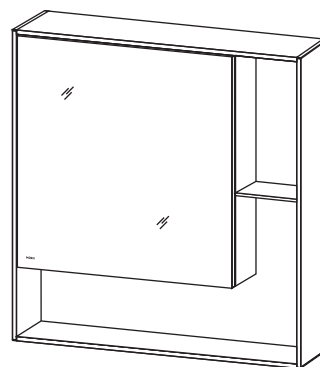
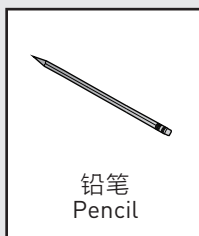
www.moen.cn

#### 推荐工具

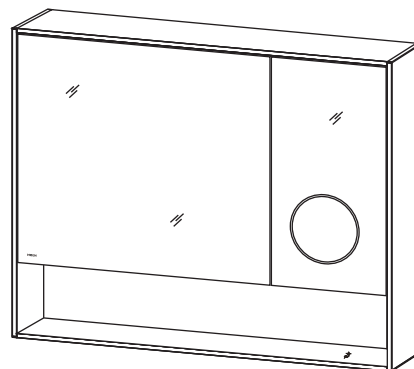
为了安全和让安装和替换变得容易，Moen建议您使用以下工具：

#### HELPFUL TOOLS

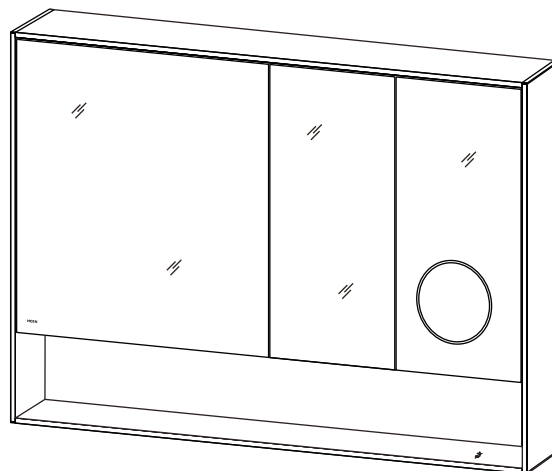
For safety and ease of replacement, Moen recommends the use of these helpful tools.



SERENITY 650



SERENITY 800



SERENITY 1000

图片仅供参考  
(款式因型号而异)

Image is for reference only  
(Style varies by model)

记录购买的型号：  
(保存安装说明书以备将来参考)

Record Purchased Model Number:  
(Save instruction sheet for future reference)

## 安装前注意事项

- 请仔细阅读本说明书，以便熟悉所需工具、物料、安装过程。请按照适用的章节来安装本产品，以免安装失当导致不必要的损失。除了正确的安装方法之外，请详阅所有操作及安全指引。
- 本说明书所载的一切资料，均以印刷时所有之最新产品情况为基础，MOEN保留对产品进行修改、改进的权利，技术参数如有更改，恕不另行通知。
- 在安装MOEN产品之前，请先确认所有必须的电气工作均已完成。并确认遵循制造商相关电动工具的安全的指令。
- 强烈建议在柜体安装前拆门板，使安装过程安全，具体步骤参考后续指导。
- 安装之前，仔细检查产品是否有损伤。
- MOEN产品性能卓越，经久耐用。为保证产品品质，请按照此说明书中推荐的方法进行安装，启用，操作和维护。
- 玻璃层板最多承载5KG的物品。
- 强烈要求输入电源（输入：220V-240V）必须带有地线及漏电开关。⚡
- 灯板内有高压电设备，非专业人士请勿拆开。⚡

## Precautions before Installation

- Please read this manual carefully to familiarize with the required tools, materials, and installation. Please install this product in accordance with the applicable chapters to avoid unnecessary losses. In addition to the installation method, please read all operation and safety guidelines.
- All information contained in this manual is based on all the latest product conditions at the time of printing. MOEN reserves the right to modify and improve the product. Technical parameters are subject to change without notice.
- Before installing products, please confirm that all necessary electrical work has been completed. And follow the manufacturer's safety instructions related to power tools.
- It is strongly recommended to remove the doors before installing the cabinet. Refer to the corresponding instructions for specific steps.
- Before installation, check the product for damage.
- MOEN products are excellent in performance and durable. In order to ensure product quality, please follow the methods recommended in this manual for installation, activation, operation and maintenance.
- The glass laminate can carry up to 5kg articles.
- It is strongly required that the input power supply (input: 220 v-240 V) must be equipped with ground wire and leakage switch. ⚡
- There are high-voltage electrical equipment in the lamp board. Please do not disassemble it for non professionals. ⚡



**警告：有触电的危险。**  
请找合格的电工来进行所有的线路连接。



**WARNING: Risk of electrical shock.**  
A licensed electrician should make all electrical connections.

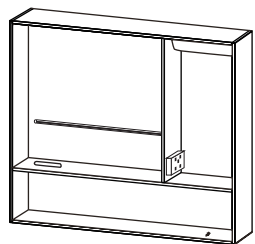


**警告：有触电的危险。**  
工作之前先切断电源。

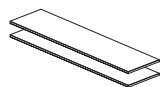


**WARNING: Risk of electrical shock.**  
Disconnect power before servicing.

## 零件清单 Parts List



箱体 1件  
Box x1



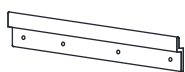
玻璃层板 2件  
Glass Shelves x2



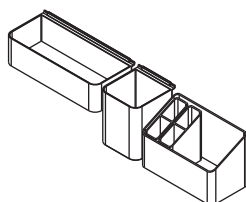
层板托 8件  
Shelf Clip x8



层板孔塞 12件  
Hole Plug x12



挂条 2件  
Hanging Bar x2



储物盒 1套  
Storage Box x1



上墙胶粒 8颗  
Expanded Colloidal Particles x8



M5x50上墙螺丝 8颗  
M5x50 Screw x8

## 订购信息 Ordering Information

BCM16-001BK 1000mm镜柜 (墨黑)	BCM16-001BK 1000mm Mirror Cabinet (Ink Black)
BCM16-002BK 800mm镜柜 (墨黑)	BCM16-002BK 800mm Mirror Cabinet (Ink Black)
BCM16-003BK 650mm镜柜 (墨黑)	BCM16-003BK 650mm Mirror Cabinet (Ink Black)
BCM16-001HDN 1000mm镜柜 (亚银)	BCM16-001HDN 1000mm Mirror Cabinet (Silver)
BCM16-002HDN 800mm镜柜 (亚银)	BCM16-002HDN 800mm Mirror Cabinet (Silver)
BCM16-003HDN 650mm镜柜 (亚银)	BCM16-003HDN 650mm Mirror Cabinet (Silver)

## 镜柜尺寸图 Rough-in Dimension

单位 Unit: mm

产品名称 Product Name	参考值 (L*W*H) Reference Value	示意图 Diagram
650mm 镜柜 Mirror Cabinet	650x140x650	
800mm 镜柜 Mirror Cabinet	800x140x650	
1000mm 镜柜 Mirror Cabinet	1000x140x680	

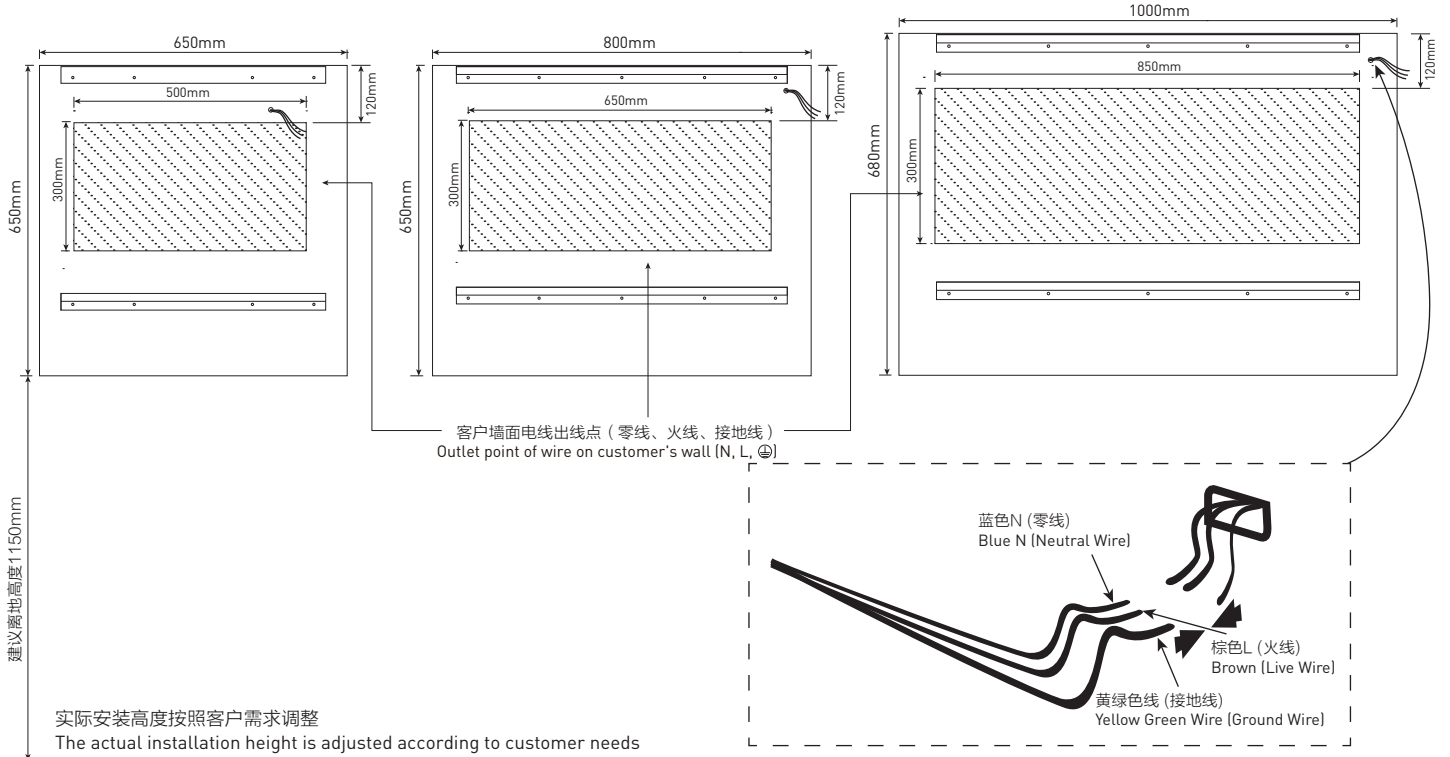
注：摩恩公司保留随时变更图中尺寸的权利，无需另行通知。

Note: MOEN reserves the right to change marked dimensions without prior notice.

# 镜柜安装

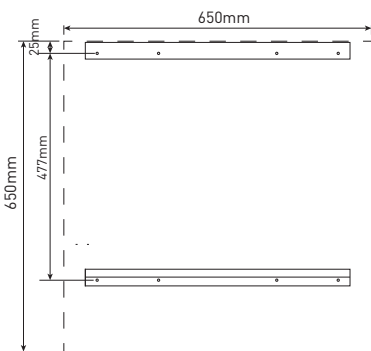
## 1. 电源线接入

- 上下挂墙条安装完成后，再把镜柜电线和外部输入线（三芯电缆线，220V 50HZ）连接。

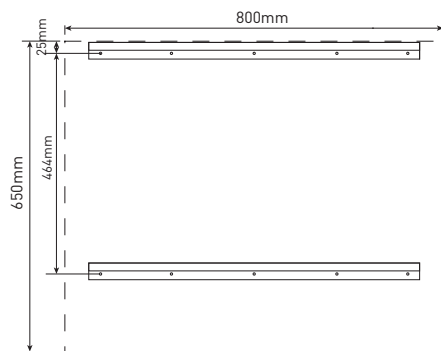


## 2. 镜柜挂墙

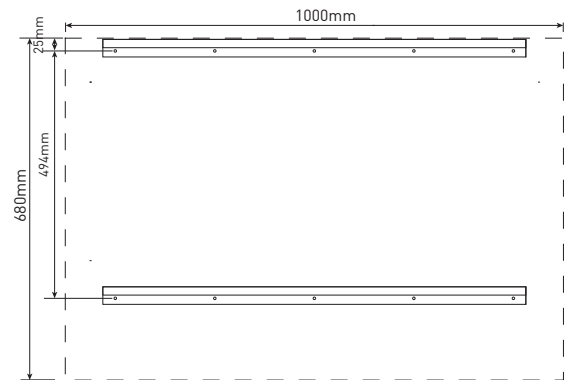
- ▲重要提示：要求墙面为混凝土墙、实心砖等能承重的墙体。
- ▲小心：墙面钻孔请务必避开墙内的缆线和管道。
- 墙面钻孔：在墙上钻8个 $\varnothing 8$ 孔，尺寸如下图所示，注意同排孔保持水平，装上下墙胶粒。



思锐 650mm镜柜  
SERENITY 650mm Mirror Cabinet



思锐 800mm镜柜  
SERENITY 800mm Mirror Cabinet



思锐 1000mm镜柜  
SERENITY 1000mm Mirror Cabinet

# Install Mirror Cabinet

## Connect To Power Line

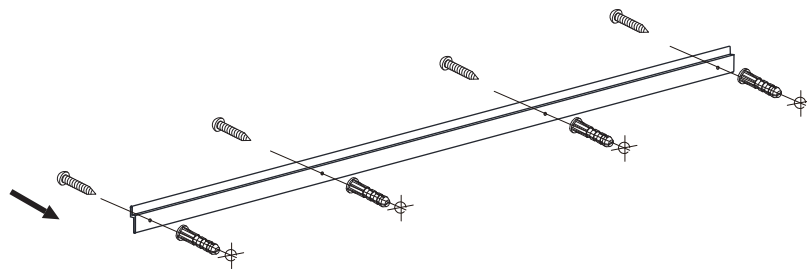
- It is recommended that firstly install the upper and lower wall Hanging Bars, then connect the power line (three-core cable, 220V, 50HZ).

## Install Mirror Cabinet

- ▲ Important note: the wall is required to be concrete wall, solid brick and other load-bearing walls
- ▲ Caution: please avoid the cables and pipes in the wall when drilling on the wall.
- Wall drilling: drill 8  $\varnothing 8$  holes on the wall, with the size shown in the figure below, Pay attention to keep the holes in the same row horizontal and install the rubber particles on the wall.

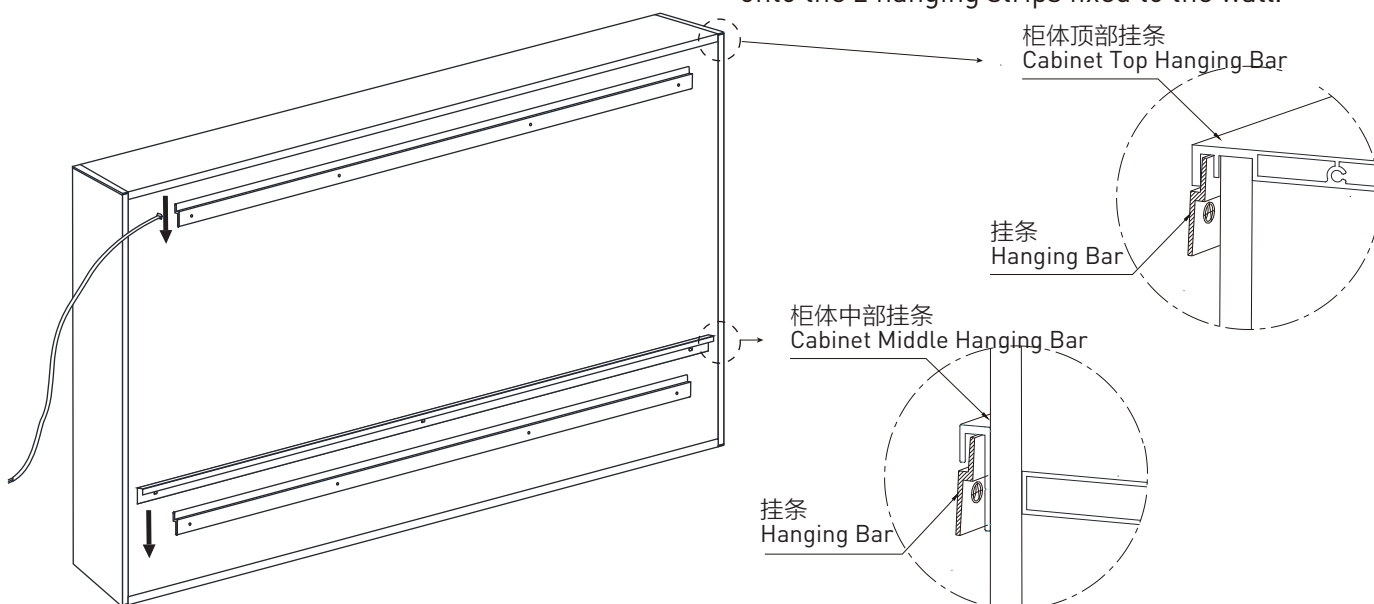
- 安装挂条，拿出挂条，水平放置，按挂条上的孔距进行钻孔。

- Install hanging bar. Take out the Hanging bar and put level. Drill holes according to the hole spaces.



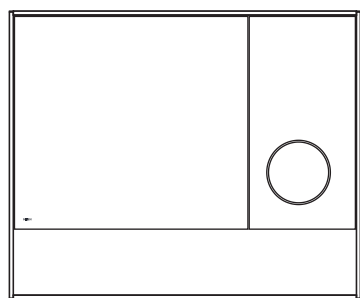
- 固定柜体：  
将柜体靠墙，从上往下滑落，确保镜柜顶部挂条和中部挂条卡进与墙固定的2条挂条上。

- Fix the cabinet:  
Slide the cabinet against the wall from top to bottom, and ensure that the top of the mirror cabinet is hung with strips and The central hanging strip is clamped onto the 2 hanging strips fixed to the wall.

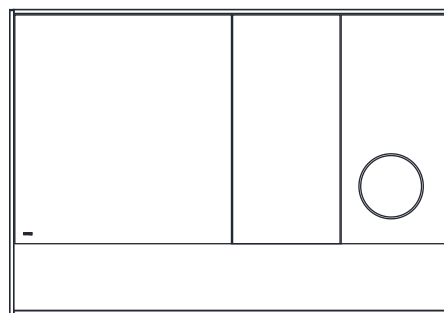


- 镜柜感应开关使用说明：  
思锐800、1000镜柜放大镜的灯带可以通过镜柜底部右下角感应开关实现开关。

- Instructions for use of mirror cabinet induction switch:  
The light band of SERENITY 800 and 1000 mirror cabinet magnifiers can be switched by the induction switch at the bottom right corner of the mirror cabinet.



镜柜感应处  
Mirror Cabinet Sensor



镜柜感应处  
Mirror Cabinet Sensor

- 镜柜放大镜灯带亮度调节：  
通电后，用手在距离镜柜感应处5CM内挥动，镜灯点亮，再次挥动镜灯关闭；

- Magnifying glass lamp of mirror cabinet with brightness adjustment:  
After power on, swing the mirror lamp within 5cm

镜灯点亮时，用手在距离镜柜感应处5CM内停止5秒以上实现调光功能，灯光亮度从最亮到最暗，或者从最暗到最亮。

from the sensing position of the mirror cabinet by hand to turn on the mirror lamp, and then swing the mirror lamp again to turn off;  
When the mirror lamp is on, stop it for more than 5 seconds within 5cm from the sensing position of the mirror cabinet by hand to realize the dimming function, and the light brightness is from the brightest to the darkest, or from the darkest to the brightest.

### 3. 安装储物盒

- 如图按照A-B-C的顺序将储物盒装进卡槽里。

### 3. Installation the storage box

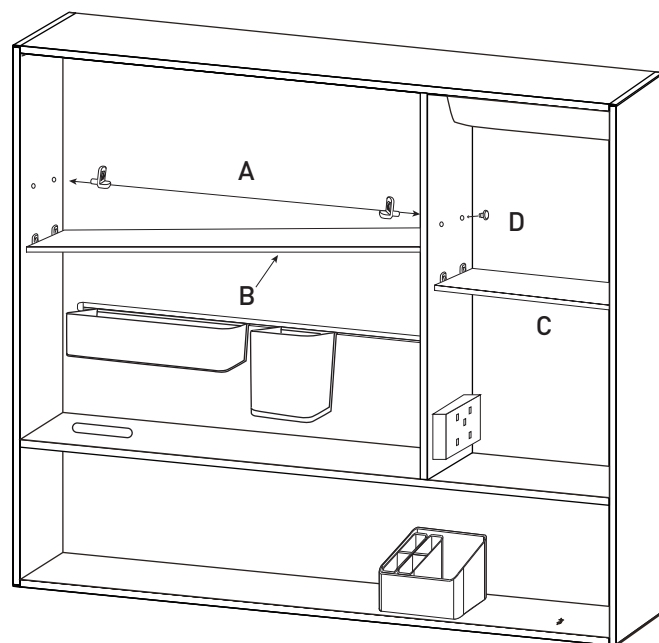
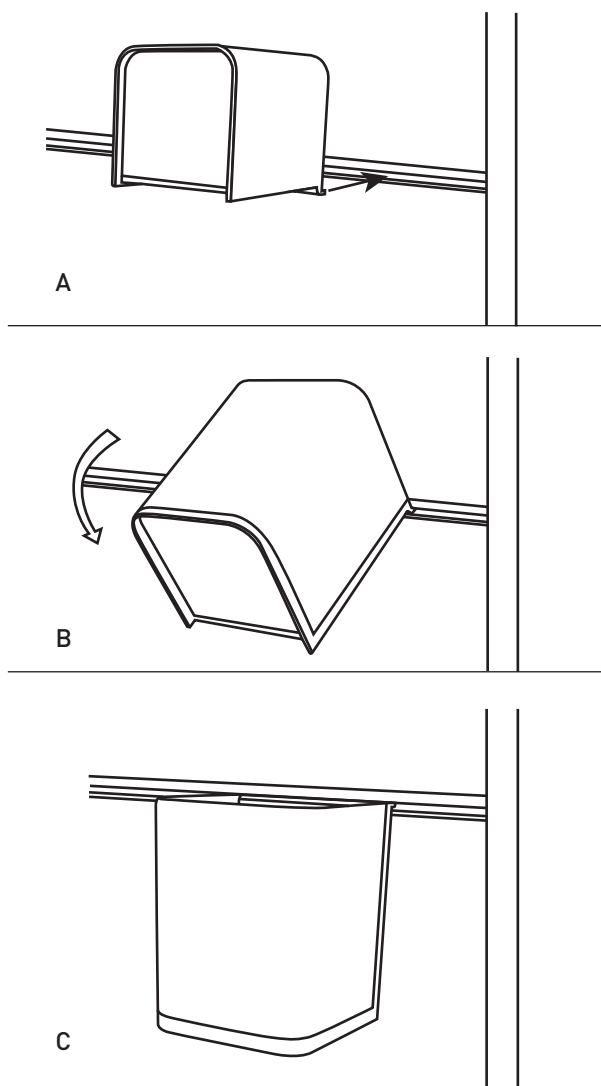
- As shown in the figure, install the storage box into the card slot in the order of a-b-c.

### 4. 安装玻璃层板

- 如图按照A-B-C-D的顺序依次固定玻璃层板和层板孔塞。
- 装层板托要注意使左右两孔对应。
- 倾斜层板，使其任意一端先放进层板托，另一端再压下卡稳。

### 4. Installation of glass laminate

- As shown in the figure, fix the glass laminates in the order of a-b-c-d Laminate hole plug.
- The installation of laminated plates should pay attention to the corresponding two holes.
- Tilt the laminate so that it can be inserted into the supporting plate at any end, and the other end is pressed down.



根据需要，置物盒也可放在开放格处  
As required, the storage box can also be placed in the open compartment

## 门铰链的拆卸、安装和调节

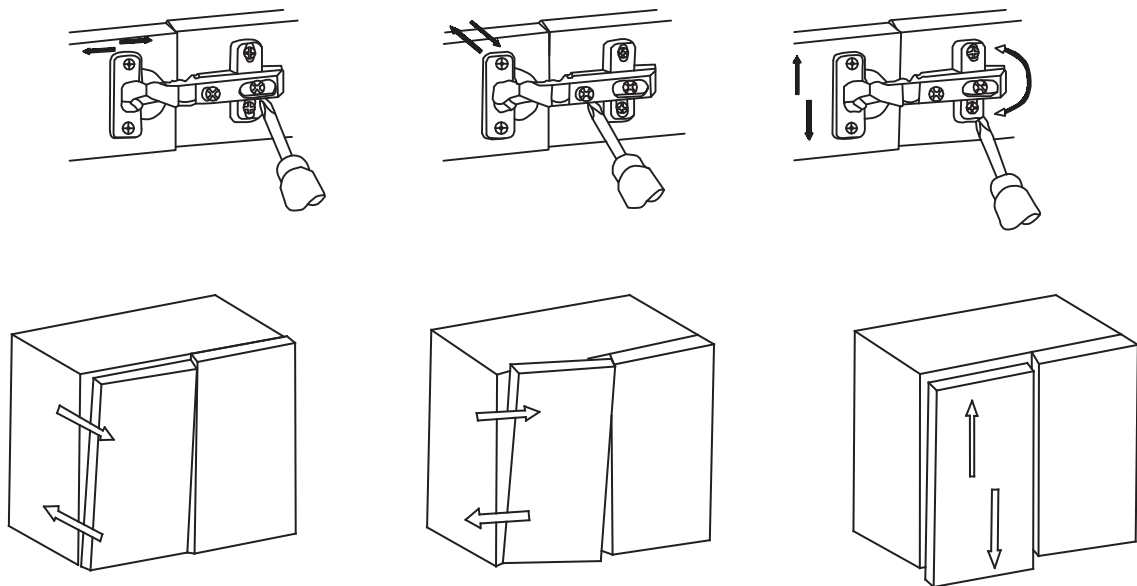
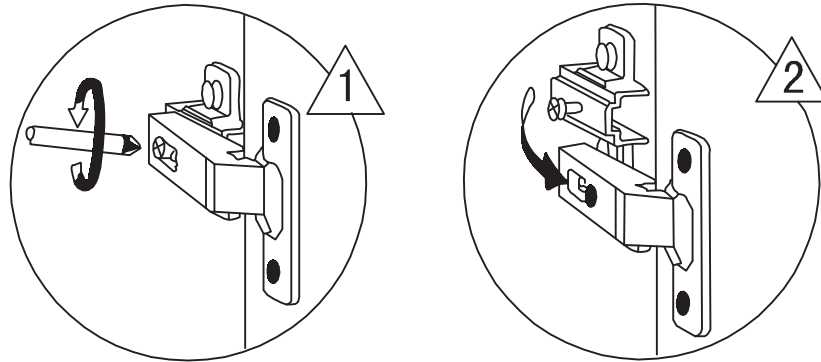
摩恩浴室柜使用了快装铰链，使用卡紧装置安装门铰链，拆卸过程相反。

按照下图所示三向调节所有的门板铰链，使门板水平整齐。门板与门板间隙均匀，门板与柜体之间严丝合缝。

## Remove, Install and Adjust Hinge

Moen Mirror cabinet uses quick mounting hinge, and uses clamping device to install door hinge. The disassembly process is opposite.

Adjust all door hinges in three directions as shown in the figure below to make the door panels level and neat. The gap between the door panel and the door panel is even, and the door panel and the cabinet body are tightly connected.



## 电器部件清单 List of Electrical Components

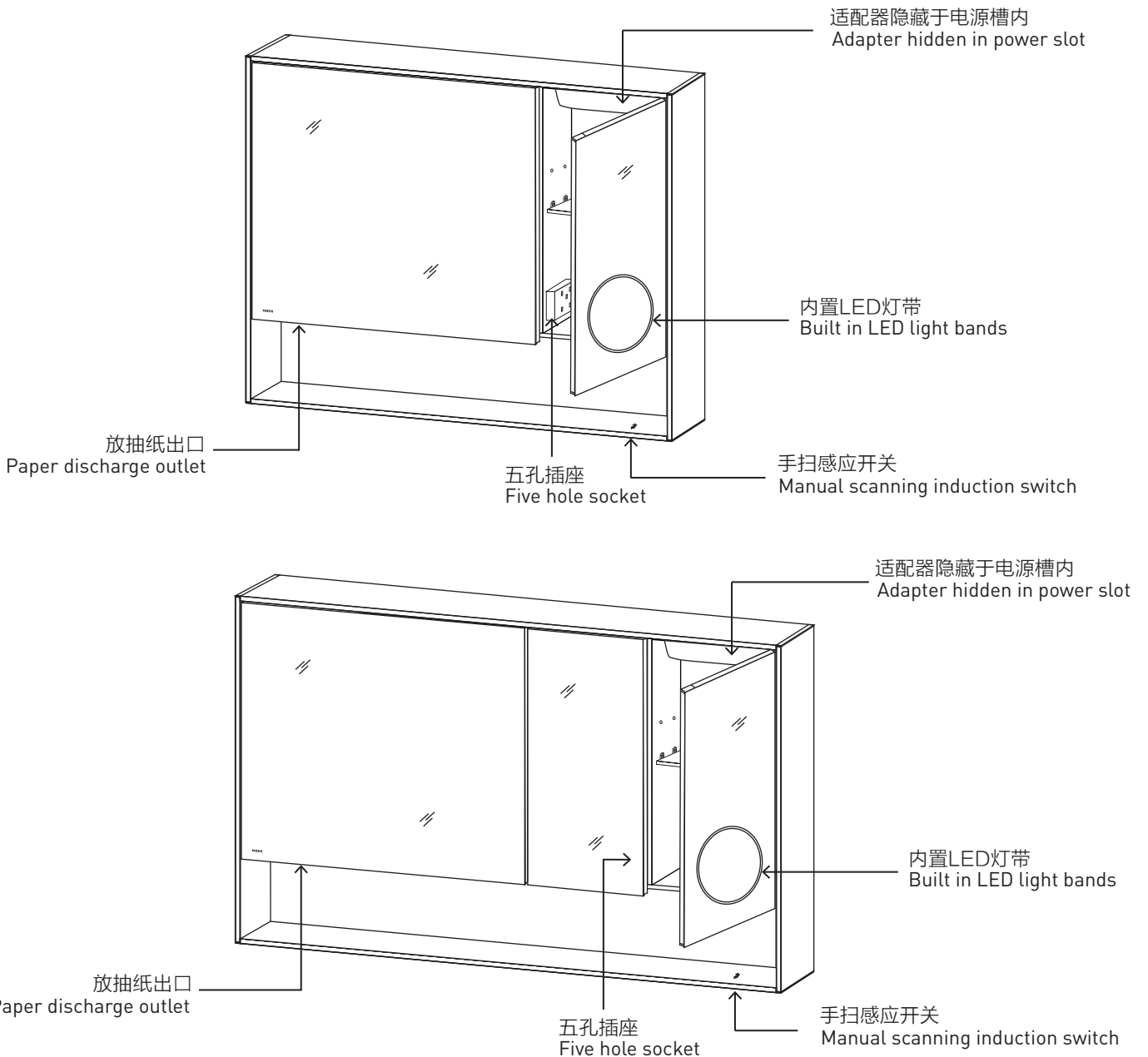
BCM16-001BK 1000mm 镜柜 (墨黑) / Mirror Cabinet (Ink black)

BCM16-002BK 800mm 镜柜 (墨黑) / Mirror Cabinet (Ink black)

BCM16-001HDN 1000mm 镜柜 (亚银) / Mirror Cabinet (Silver)

BCM16-002HDN 800mm 镜柜 (亚银) / Mirror Cabinet (Silver)

序号 Number	电器功能 Electrical Function	规格描述 Specification Description	位置 Position
1	五孔插座 Five hole socket	交流电压: 250V 额定电流: 10A AC voltage: 250 V, rated current: 10A	镜柜中竖板下端 Lower end of vertical plate in mirror cabinet
2	LED灯 Led light	输入电压: 直流电压12V, 功率Pmax: 7W LED 4000K Input voltage: DC voltage 12 V, Power Pmax: 7w LED 4000K	右门板 Right door panel
3	手扫感应开关 Manual scanning induction switch	LED灯控制开关 LED light control switch	柜体右下角 Lower right corner of cabinet
4	适配器 Adapter	输入: 交流电压100-240V 电流1.2A, 输出: 直流电压12V 电流2A Input: AC voltage 100-240V, current 1.2A Output: DC voltage 12V current 2A	镜柜箱体顶部电源槽内 Top of mirror cabinet In the power supply slot



## 镜柜的保养

### 一. 镜柜使用环境要求

- **干湿分离的卫生间：**淋浴间和其它区域相分隔，淋浴的水不会四处飞溅，是配置镜柜的最佳环境。
- **非干湿分区的卫生间：**镜柜较易被溅水或受潮，其柜体基材可能会发霉膨胀，从而影响使用寿命。
- **日常使用注意事项：**
  - a. 保持卫生间的空气流通及地面的干燥。
  - b. 不允许水溅落到镜柜柜体上。如果不小心沾上水，要及时用干抹布擦干，保持柜体干爽洁净。

### 二. 日常清洁与保养

- 切勿让儿童爬上镜柜或承受重压，以防发生危险或造成损坏。
- 非使用时不允许被水冲洗或水溅落到柜体上。若有水，请及时用干布擦干（包括洗浴后的冷凝水）。
- 用软布定期清洁、擦拭。
- 照明灯等电器连接要确保绝缘、防潮；镜面最好用鹿皮经常擦拭，可以保障使用质量经久如一。
- 卫生间请保持良好的通风状态。有条件的可以干湿分离，尽量保持浴室空气畅通，养成开窗开门的习惯。

## Mirror Cabinet Maintenance

### Use Environmental Requirements

- **The toilet is separating dry space from moist space:** The shower room is separated from other areas. It is the best environment for configuring mirror cabinet.
- **The toilet is not separating dry space from moist space:** The mirror cabinet is likely to be splashed or damp, and the base material of the cabinet body may become moldy and swell, which will affect the service life.
- **Daily Usage Considerations:**
  - a. Keep the air circulation in the toilet and dry the floor.
  - b. Do not allow water to splash on the cabinet body. If you accidentally get water, wipe it with a dry cloth in time to keep the cabinet dry and clean.

### Cleaning and Maintenance

- Do not allow children to climb on the mirror cabinet or bear heavy pressure to prevent danger or damage.
- Do not rinse with water or be splashed when it is not in use. If there is water, please wipe it dry with a dry cloth in time (including the condensed water after bathing).
- Clean and wipe regularly with a soft cloth.
- To ensure that lighting and other electrical connections are insulated, moisture-proof. Mirror surface is best to use deer skin often wipe, which can guarantee the use of quality for a long time.
- Please keep the bathroom well ventilated, and separate dry and wet if possible, try to keep the bathroom air unobstructed, and windows and doors open.

## 产品售后保修条款

摩恩产品是在高质量标准及生产工艺下制造的，摩恩承诺为消费者购买的洁具产品提供有期限免费保修及终身维修服务。

镜柜免费保修期为1年，均自消费者购买日（以摩恩产品分销商开具的发票或收据上载明日期为准）起计。

免费保修范围为产品及产品配件由于材质及工艺原因而造成的故障或损坏。免费保修期内，我们将无偿为您提供维修服务及更换发生故障的产品或产品配件。摩恩的售后服务责任仅限于对故障产品的修理，而不延及您因产品故障而发生的其他损失，法律另有规定的除外。

您需了解：产品外观碰伤、刻划痕迹，以及滥用及不正当保养所导致的故障或损坏，均不属于免费保修范围。即使在免费保修期内，属下列（1）-（5）情况之一的，需酌情收取修理费用：

1. 不能出示相符的保修卡和有效购买凭证情况的，
2. 未按使用说明告知的使用方法和注意事项造成的故障，
3. 自行拆卸、维修、改装所造成的故障和损坏，
4. 由于不可抗力等外部原因引起的故障和损坏，
5. 由于运输、搬卸、挤压等造成的损坏。

对于保修期外或不在保修范围内的产品，如需维修，摩恩将酌情收取上门费、人工费及材料费。

本保修条款仅对原始消费者和酒店行业的购买者有效，并不适用于本产品工业，商业，贸易和非酒店行业的使用。

如对本保修条款内容有任何疑问，请拨打400 630 8866 咨询热线，或向当地分销商咨询。

## MOEN LIMITED WARRANTY

We offer limited warranty and lifetime maintenance for Moen products, which are all manufactured with high standards of workmanship.

The period of warranty shall start from the date of purchase of the product (according to the invoice or receipt issued by Moen distributors) and shall cover a period of the following: The warranty period for mirror cabinet is 1 year.

This warranty is your coverage against material and workmanship malfunction or defects in Moen products or components. During the warranty period, we offer free maintenance and changing of malfunctioned products or product components. Moen's after sales service liability is limited to the maintenance of faulty items and does not cover your other losses caused by product malfunction, except for otherwise stipulated by law. Cosmetic damages (scratches, dents, etc.) and malfunction or defects caused by abuse or improper maintenance is not covered by this warranty. Although the warranty period remains valid, in case of the following conditions (1) - (5), the maintenance cost (material cost and labor cost) shall still be charged as the case may be:

1. Corresponding warranty card and valid invoice cannot be presented;
2. Faults were caused by the incompliance with the instructions and precautions provided in the user's manual;
3. Damages and faults were caused by self-actuated dismantling, repair and refit;
4. Faults and damages were caused by external factors such as force majeure;
5. Damages were caused by transportation, unloading and extrusion, etc.

This warranty is valid for the original consumers only (including hotel use), and excludes industrial and commercial use of the product (except for hotel use).

This card is only responsible for product maintenance rather than any other liabilities.

In the event that the product requires maintenance but exceeds the warranty period, or that the product is not covered by this warranty, labor cost and material cost shall be charged as the case may be.

Please call 400-630-8866 or contact local dealer for any question.

**MOEN® 摩恩**

合格证  
Compliance Certification

产品名称 镜柜  
Product Name Mirror Cabinet

检验员  
Inspector

生产日期  
Date of Production

富俊汇赢科技（上海）有限公司  
中国（上海）自由贸易试验区新杨公路  
1800弄1号4幢207室  
邮编：201413

Fortune Brands Innovations (Shanghai) Co., Ltd  
Room 207, Building 4, No.1, Lane 1800, Xinyang Highway,  
China [Shanghai] Pilot Free Trade Zone