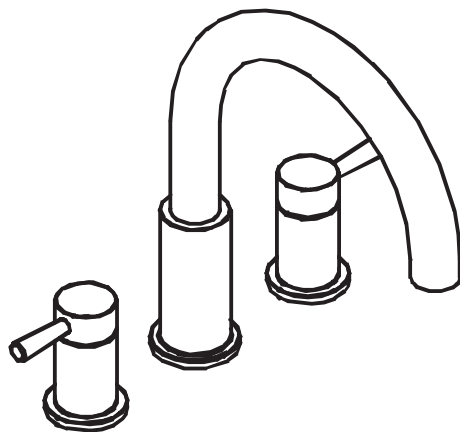


双把手罗马浴缸龙头 安装说明书

Two-Handle Roman Tub/Shower Faucet INSTALLATION INSTRUCTIONS



图片仅供参考
(款式因型号而异)

Image is for reference only
(Style varies by model)

记录购买的型号：
(保存安装说明书以备将来参考)

Record Purchased Model Number:
(Save instruction sheet for future reference)

如需安装支持，配件丢失等，请联系MOEN。
(中国) 400-630-8866
www.moen.cn

PLEASE CONTACT MOEN FIRST
For Installation Help, Missing or Replacement
Parts
(China) 400-630-8866
www.moen.cn

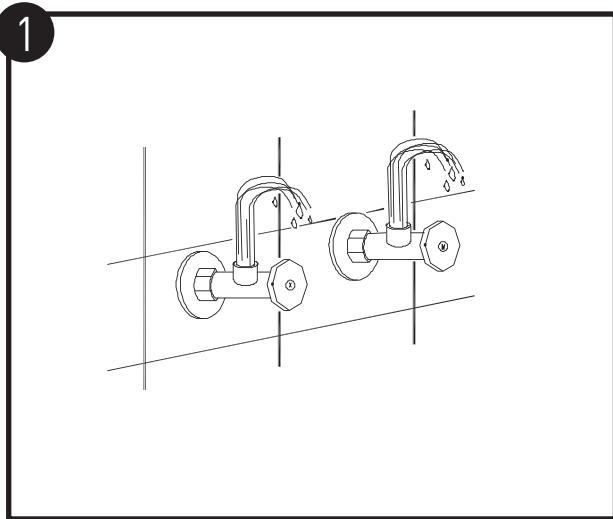
推荐工具

为了安全和让安装和替换变得容易，Moen建议您使用以下工具：

HELPFUL TOOLS

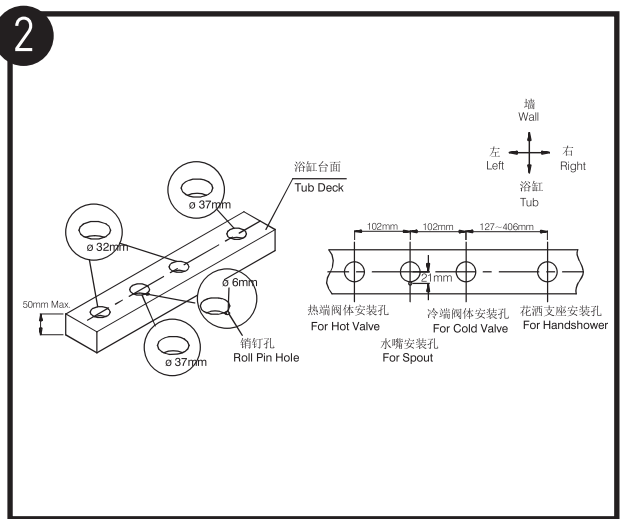
For safety and ease of replacement, Moen recommends the use of these helpful tools.





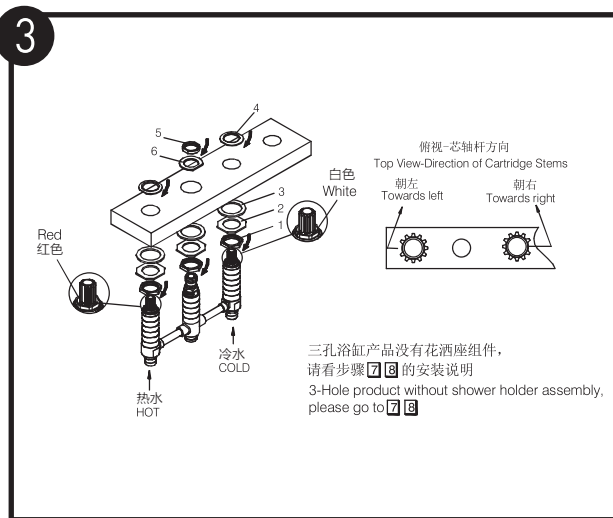
打开冷热供水，排去管内积累的残渣。
否则将有损龙头。

Flush hot and cold water supply lines to remove any debris that has accumulated in the supply lines that could damage the faucet.



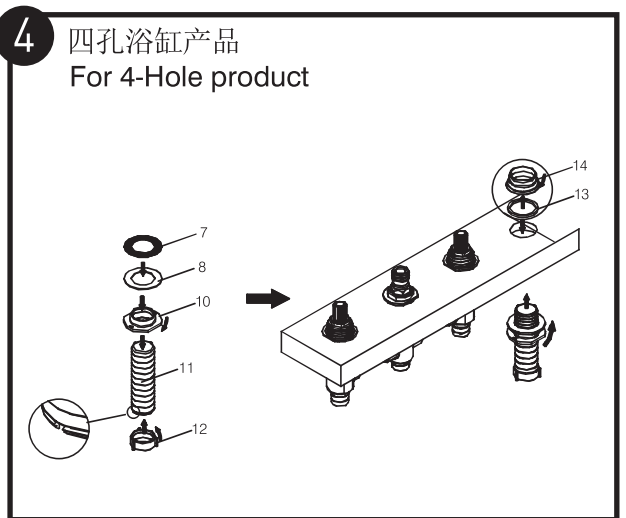
根据产品需求钻孔。以四孔罗马浴缸产品为例。
先确认水嘴安装孔位置以便水嘴出水能到达预想位置。如图示在浴缸台面钻4个安装孔及1个直径为6mm的销钉孔。

Drill the holes as the products requested. Here used 4-Hole product as an example. Position the spout hole so that spout delivers the water to the desired place in the tub. Drill four installation holes as shown on the tub deck. Drill one 6mm diameter hole for roll pin around the spout hole as shown.



拧紧螺母(1)至阀体组件，并装好垫片(2)及黑色胶垫(3)。将装配好的阀体组件从浴缸台面底向上部穿出并从上部拧安装螺母(5)至冷热端阀体。中间阀体装好垫片(6)并拧紧安装螺母(5)。拧紧安装螺母(4和5)后，从浴缸台面底部拧紧锁紧螺母(1)。

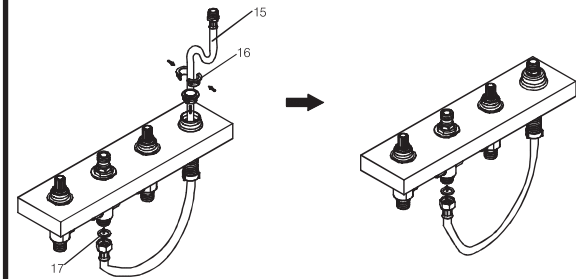
Thread the locking nut(1) & put the washer(2) and black rubber washer(3) to valve assembly. Insert valve assembly into deck from bottom and thread the top mounting nuts(4) to side valves from top side. Put washer(6) to the center valve and thread mounting nuts(5). After tighten the top mounting nut(4&5), tighten the locking nuts(1) from bottom.



将软管导向头(12)拧至软管(11)有缺口一端，拧导管螺母(10)至软管(11)上并放置垫片(8)及黑色胶垫(7)。将装好的导管组件从浴缸台面下向上穿，根据实物，将底垫或O型圈(13)放至螺母(14)底部并将螺母(14)拧至导管组件。再从浴缸台面下部将导管螺母(10)拧紧。

Thread hose guide washer(12) to one end with groove of hose shank(11). Thread shank adapter(10) to hose shank(11), place washer(8) and black rubber washer(7) to hose shank(11). Put the hose shank assembly through the deck from bottom. Put washer/O-ring(13) to bottom of nut(14) and thread nut(14) to shank assembly. Thread shank adapter(10) from bottom.

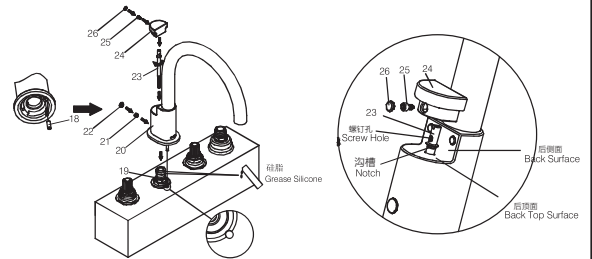
5 四孔浴缸产品 For 4-Hole product



将导向软管(15)穿过导管组件, 导向软管的外螺纹端朝上。将两导管座(16)在导向软管(15)管体处拼接并压至导管组件。确认导管组件(15)另一端接头内有一黑色橡胶垫片(17), 并将其拧至中间阀体末端。

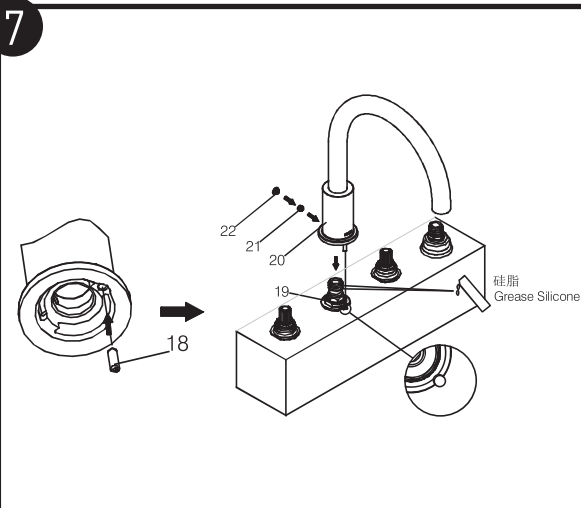
Slide the guide hose(15) into shank assembly and make sure that the side of guide hose (15) with external thread towards upside. Put two guide hubs(16) together around the guide hose(15) and push to the shank assembly. Make sure there is a black rubber washer(17) in the other connector of guide hose(15) and connet to the end of center valve.

6 四孔浴缸产品 For 4-Hole product



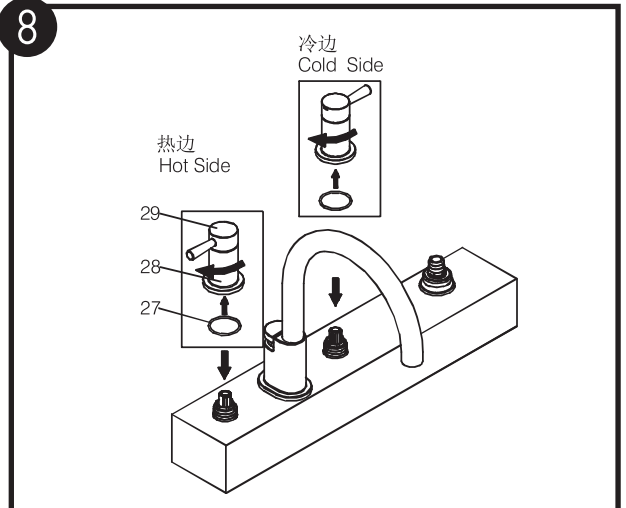
将销钉(18)塞入水嘴(20)底部销钉孔内。在水嘴接头(19)的O型圈处涂适量硅脂。装水嘴(20)并将其调至正确的使用方向, 从后部锁紧水嘴螺丝(21), 则塞入塞钮(22)。将提拉杆(23)穿入水嘴(20)拧至其上沟槽与水嘴(20)后顶面平齐, 微调提拉杆(23), 使其螺钉孔与水嘴(20)后侧面垂直。装提拉头(24), 拧紧螺丝(25)并塞入塞钮(26)。

Insert pin(18) to bottom of the spout(20). Apply grease silicone to the two o-rings on the spout nipple(19). Install spout (20) and set to correct direction. Thread screw(21) to back of spout and tighten. Insert plug(22) . Put the lift rod(23) through spout(20) and thread to diverter stem in spout nipple (19) . Thread the lift rod(23) until the notch touch the back top surface of spout(20) and adjust slightly to make sure the screw hole on lif rod(23) is vertical to back surface of spout(20). Install diverter knob(24) by tighten screw(25). Insert plug(26) to diverter knob(24).



将销钉(18)塞入水嘴(20)底部销钉孔内。在水嘴接头(19)的O型圈处涂适量硅脂。装水嘴(20)并将其调至正确的使用方向, 从后部锁紧水嘴螺丝(21), 则塞入塞钮(22)。

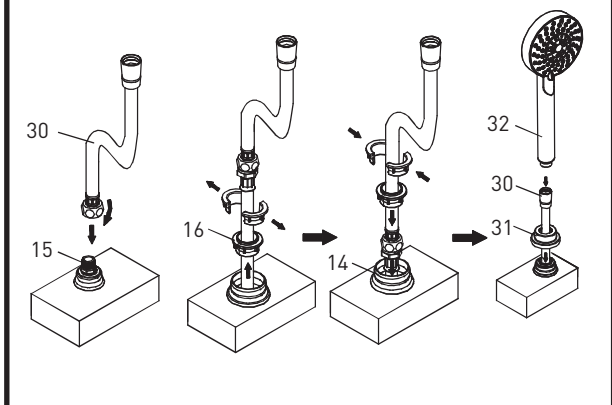
Insert pin(18) to bottom of the spout(20). Apply grease silicone to the two o-rings on the spout nipple(19). Install spout (20) and set to correct direction. Thread screw(21) to back of spout and tighten. Insert plug(22) .



将O型圈(27)装入把手座(28)底部, 如图示装把手组件(28和29)并旋转把手座(28)直至其贴紧台面。
对于3孔罗马浴缸产品, 此步完成安装。打开冷热供水开关, 检查各处是否有渗漏。

Insert o-ring(27) to bottom of handle hub(28). Install handle assembly(28 & 29) as shown and rotate the handle hub(28) until it is against the desk.
For 3-Hole product, installation is finished. Open hot and cold supply lines and check for leaks.

9 四孔浴缸产品 For 4-Hole product



将花洒软管(30)的六角螺母拧至安装导向管(15)。向上取出导管座(16)并将其分开两半。将花洒软管(30)向下塞入导向座(14)直至六角螺母被完全塞至花洒支座(14)内。重新将两导管座(16)在花洒软管(30)管体处拼接并压至花洒支座(14)。将装饰罩(31)穿过花洒软管(30),压至台面。将手持花洒(32)连至花洒软管(30)。

安装完成。打开冷热供水开关,检查各处是否有渗漏。

Thread hex nut of shower hose(30) to lead hose(15). Pull out shower guide hubs(16) and separate to two halves. Push shower hose(30) down until the hex nut goes inside the shower holder(14). Re-put the two guide hubs(16) together around the shower hose(30) and push to the shower holder(14). Guide escutcheon(31) through shower hose(30) until it against to desk. Connect shower(32) to shower hose(30).

Installation is finished. Open hot and cold supply lines and check for leaks.

产品售后保修条款

摩恩产品是在高质量标准及生产工艺下制造的，摩恩承诺为消费者购买的洁具产品提供有期限免费保修及终身维修服务。

龙头免费保修期为：阀芯5年，电磁阀感应器2年，其它附件如淋浴杆、软管、花洒、落水、把手、装饰盖、提拉杆、混水器等保修期均为1年有限。均自消费者购买日（以摩恩产品分销商开具的发票或收据上载明日期为准）起计。

免费保修范围为产品及产品配件（如淋浴杆、软管、花洒、落水、把手、装饰盖、提拉杆、混水器等）由于材质及工艺原因而造成的故障或损坏。免费保修期内，我们将无偿为您提供维修服务及更换发生故障的产品或产品配件。摩恩的售后服务责任仅限于对故障产品的修理，而不延及您因产品故障而发生的其他损失，法律另有规定的除外。

您需了解：产品外观碰伤、刻划痕迹，以及滥用及不正当保养所导致的故障或损坏，均不属于免费保修范围。即使在免费保修期内，属下列（1）-（5）情况之一的，需酌情收取修理费用：

1. 不能出示相符的保修卡和有效购买凭证情况的，
2. 未按使用说明书告知的使用方法和注意事项造成的故障，
3. 自行拆卸、维修、改装所造成的故障和损坏，
4. 由于不可抗力等外部原因引起的故障和损坏，
5. 由于运输、搬卸、挤压等造成的损坏。

对于保修期外或不在保修范围内的产品，如需维修，摩恩将酌情收取上门费、人工费及材料费。

本保修条款仅对原始消费者和酒店行业的购买者有效，并不适用于本产品工业，商业，贸易和非酒店行业的使用。

如对本保修条款内容有任何疑问，请拨打400 630 8866 咨询热线，或向当地分销商咨询。

MOEN LIMITED WARRANTY

We offer limited warranty and lifetime maintenance for Moen products, which are all manufactured with high standards of workmanship.

The period of warranty shall start from the date of purchase of the product (according to the invoice or receipt issued by Moen distributors) and shall cover a period of the following: the warranty period for cartridge is 5 years, the warranty period for solenoid valve sensor is 2 years, the warranty period of other accessories such as shower bar, hose, shower, drain assembly, handle, cover, lift rod, aerator etc. is 1 year.

This warranty is your coverage against material and workmanship malfunction or defects in Moen products or components (such as shower bar, hose, shower, drain assembly, handle, cover, lift rod, aerator etc.). During the warranty period, we offer free maintenance and changing of malfunctioned products or product components. Moen's after sales service liability is limited to the maintenance of faulty items and does not cover your other losses caused by product malfunction, except for otherwise stipulated by law.

Cosmetic damages (scratches, dents, etc.) and malfunction or defects caused by abuse or improper maintenance is not covered by this warranty. Although the warranty period remains valid, in case of the following conditions (1) - (5), the maintenance cost (material cost and labor cost) shall still be charged as the case may be:

1. Corresponding warranty card and valid invoice cannot be presented;
2. Faults were caused by the incompliance with the instructions and precautions provided in the user's manual;
3. Damages and faults were caused by self-actuated dismantling, repair and refit;
4. Faults and damages were caused by external factors such as force majeure;
5. Damages were caused by transportation, unloading and extrusion, etc.

This warranty is valid for the original consumers only (including hotel use), and excludes industrial and commercial use of the product (except for hotel use). This card is only responsible for product maintenance rather than any other liabilities.

In the event that the product requires maintenance but exceeds the warranty period, or that the product is not covered by this warranty, labor cost and material cost shall be charged as the case may be.

Please call 400-630-8866 or contact local dealer for any question.

MOEN® 摩恩®

合格证

Compliance Certification

产品名称 双把手罗马浴缸龙头
Product Name Two-Handle Roman
Tub/Shower Faucet

检验员
Inspector _____

生产日期
Date of Production _____

富俊汇赢科技（上海）有限公司
Fortune Brands Innovations (Shanghai) Co., Ltd