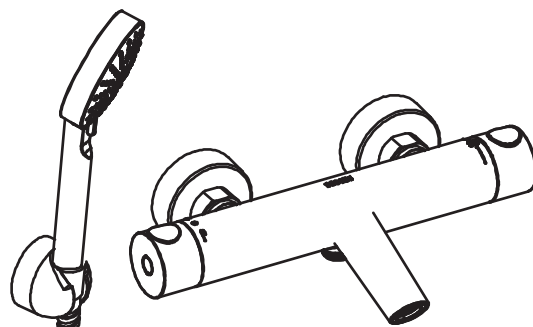


恒温浴缸花洒龙头 安装说明书

Thermostatic Tub Shower Faucet INSTALLATION INSTRUCTIONS



如需安装支持，配件丢失等，请联系MOEN。
(中国) 400-630-8866
www.moen.cn

PLEASE CONTACT MOEN FIRST
For Installation Help, Missing or Replacement
Parts
(China) 400-630-8866
www.moen.cn

图片仅供参考
(款式因型号而异)

Image is for reference only
(Style varies by model)

推荐工具

为了安全和让安装和替换变得容易，Moen建议您使用以下工具：

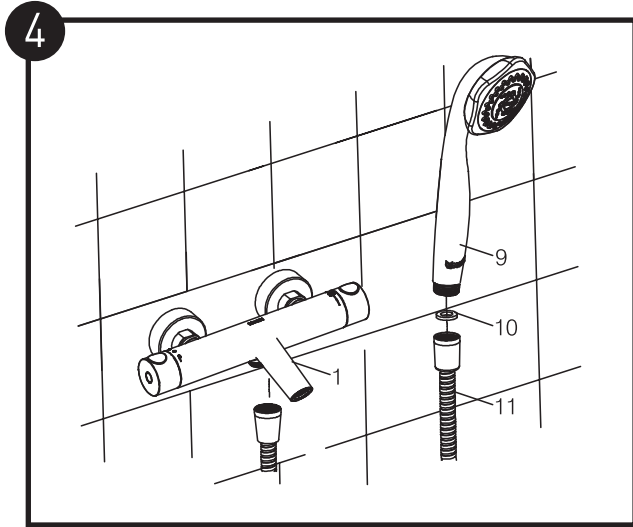
HELPFUL TOOLS

For safety and ease of replacement, Moen recommends the use of these helpful tools.

记录购买的型号：
(保存安装说明书以备将来参考)

Record Purchased Model Number:
(Save instruction sheet for future reference)





确保花洒软管(11)的两端都带有密封垫片(10)。将花洒软管的一端连接花洒(9),另一端连接阀体。打开冷热水,检查弯头接口及软管两端是否漏水。

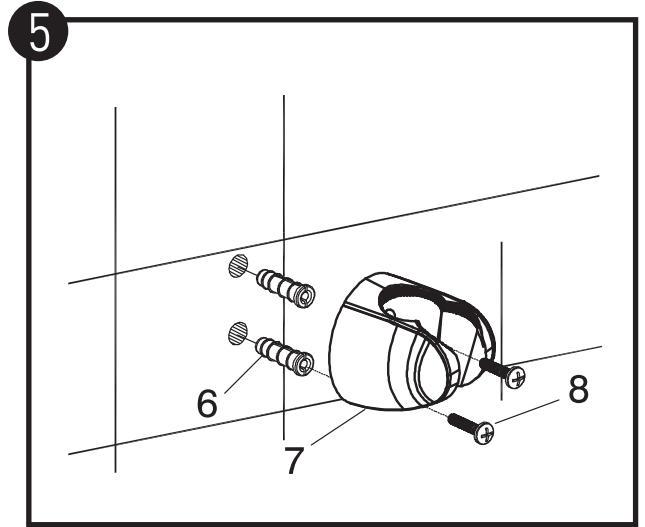
Be sure that both ends of shower hose(11) contain black rubber washers(10). Thread one end of shower hose(11) onto handheld shower(9). Thread opposite end of shower hose(11) onto faucet valve body(1). Turn on hot and cold supply lines. Open faucet handle and check for leaks.

使用方法

1. 功能转换把手之使用方法:

淋浴龙头功能切换把手可90°旋转;具有关闭,手持花洒功能;
浴缸龙头功能切换把手可180°旋转;具有关闭,手持花洒,水嘴的功能;

- 1.1 转动切换阀把手至"☉"位置时,水路关闭;
- 1.2 转动切换阀把手至"☂"位置时,手持花洒出水;
- 1.3 转动切换阀把手至"☕"位置时,水嘴出水。



确定好花洒座(7)在墙上的位置。钻孔并插入膨胀管(6),拧上螺丝(8)固定花洒座(7)。龙头安装完成。

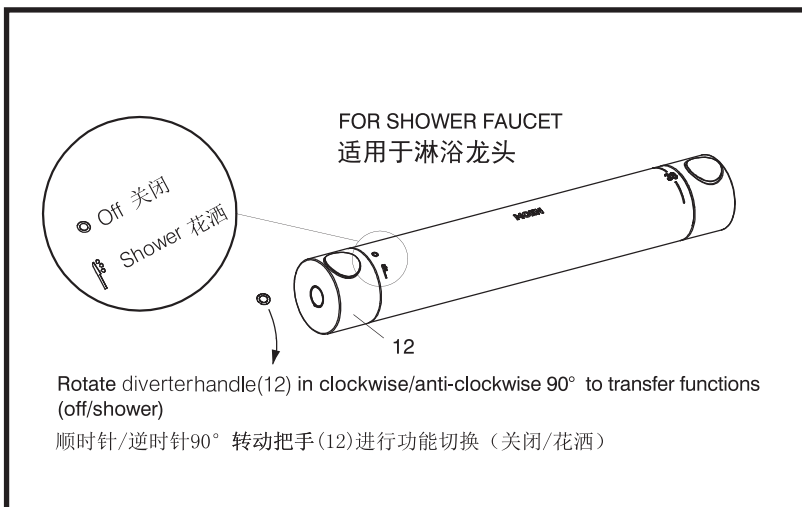
Position wall bracket base(7) on shower wall. Mark and drill holes for screw anchors(6). Insert screw anchors(6) into wall and mount wall bracket base(7) using screws(8). Faucet installation is complete.

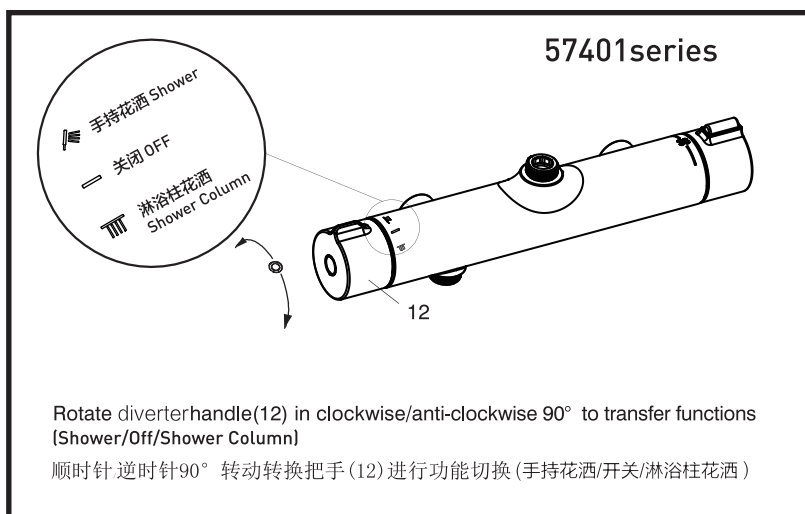
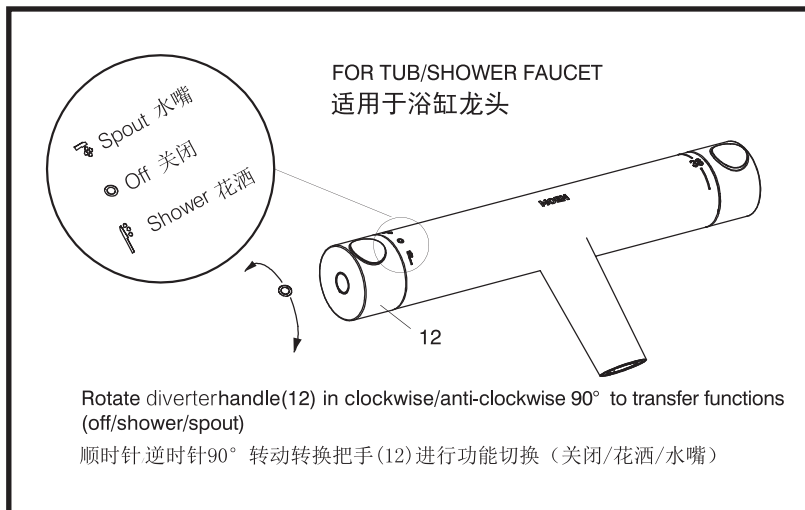
Usage

1. Usage of Diverter handle :

Shower faucet Diverter handle can be rotated by 90°, with functions of Handheld shower, Off, Tub/Shower faucet Diverter handle can be rotated by 180°, every 90 degree have one function: Off, Handheld shower, Spout.

- 1.1 The diverter valve controls the off, handshower and spout.
- 1.2 Turn the diverter handle to "☉", turn off.
- 1.3 Turn the diverter handle to "☂", the water sprays from handheld shower.
- 1.4 Turn the diverter handle to "☕", the water comes out from spout.





本产品出厂时已经将出水温度设置在20至49摄氏度之间；在38摄氏度位置有卡位，当需要高于摄氏度的水温时，请按下按钮(14)并逆时针旋转调温把手(13)；当需要的水温低于38摄氏度时，顺时针旋转调温把手(13)，可以降低出水温度

- 2.Usage of controlling temperature of water by the handle with a button: Factory established temperature range from 20 ° C to 49° C ; Safety stop preset temperature at 38° C calibration;
- 1.1 Turn the handle(13)clockwise , water temperature will turn to 20° C from 38° C;
 - 1.2 Press the button(14)down and turn the handle(13)anticlockwise, water temperature will up to 49° C;

