

MOEN® 摩恩

单把抽取式厨房龙头

安装说明书

Single Handle Pullout Kitchen Faucet

INSTALLATION INSTRUCTIONS

如需安装支持，配件丢失等，请联系MOEN。
(中国) 400-630-8866
www.moen.cn

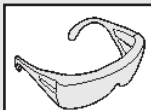
PLEASE CONTACT MOEN FIRST
For Installation Help, Missing or Replacement
Parts
(China) 400-630-8866
www.moen.cn

推荐工具

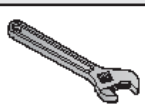
为了安全和让安装和替换变得容易，Moen建议您使用以下工具：

HELPFUL TOOLS

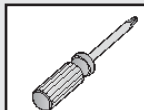
For safety and ease of replacement, Moen recommends the use of these helpful tools.



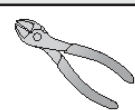
护目镜
Safety Glasses



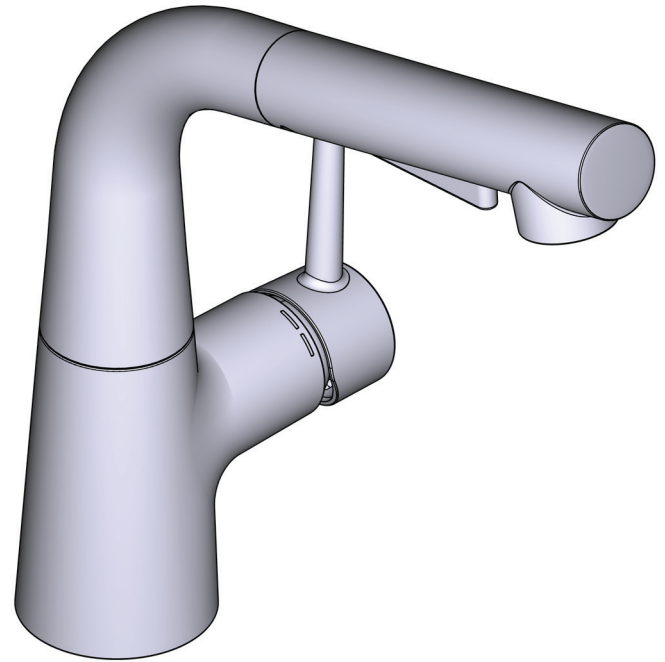
活动扳手
Adjustable Wrench



十字螺丝刀
Cross Screwdriver



剪线钳
Wire Cutters

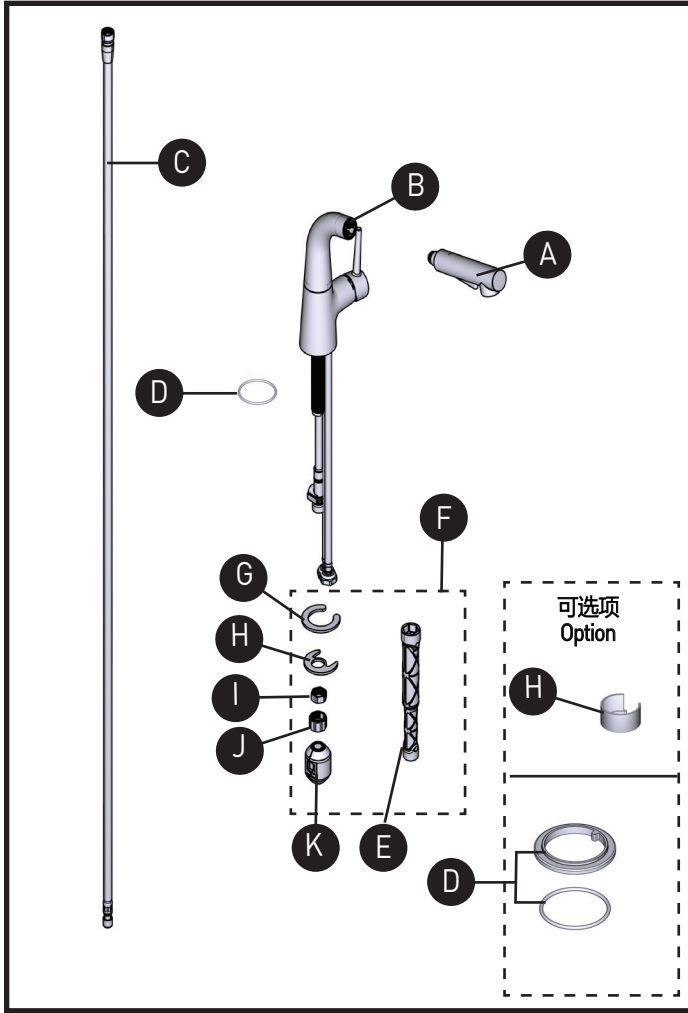


图片仅供参考
(款式因型号而异)

Image is for reference only
(Style varies by model)

记录购买的型号：
(保存安装说明书以备将来参考)

Record Purchased Model Number:
(Save instruction sheet for future reference)



零配件清单

- A. 喷嘴
- B. 水龙头主体
- C. 抽拉软管
- D. 防水件/防水组件
- E. 套筒扳手
- F. 配件
- G. 橡胶垫片
- H. 金属底垫
- I. 安装螺母
- J. 防撞螺母
- K. 配重块

Parts List

- A. Spray Wand
- B. Faucet Body
- C. Pullout Hose
- D. Gasket or Gasket & Escutcheon
- E. Mounting Tool
- F. Accessories
- G. Rubber Gasket
- H. Mounting Bracket
- I. Mounting Nut
- J. Hose Protector
- K. Hose Weight



移除旧龙头注意事项:

拆除现有水龙头或拆卸阀门之前, 请务必先关闭供水。打开水龙头手柄以释放水压, 确保完全关闭水源。

CAUTION — TIPS FOR REMOVAL OF OLD FAUCET:

Always turn water supply OFF before removing existing faucet or disassembling the valve. Open faucet handle to relieve water pressure and ensure that complete water shut-off has been accomplished.

图标图例 Icon Legend



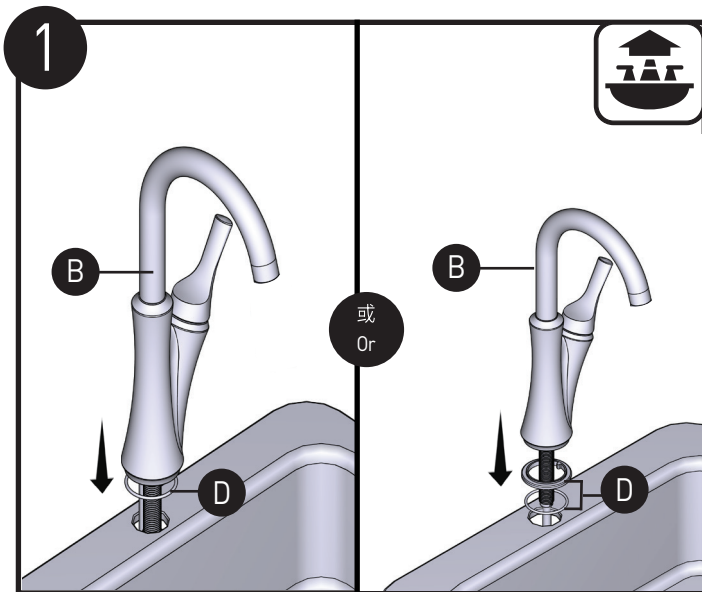
警告
Warning



水槽上方
Above sink

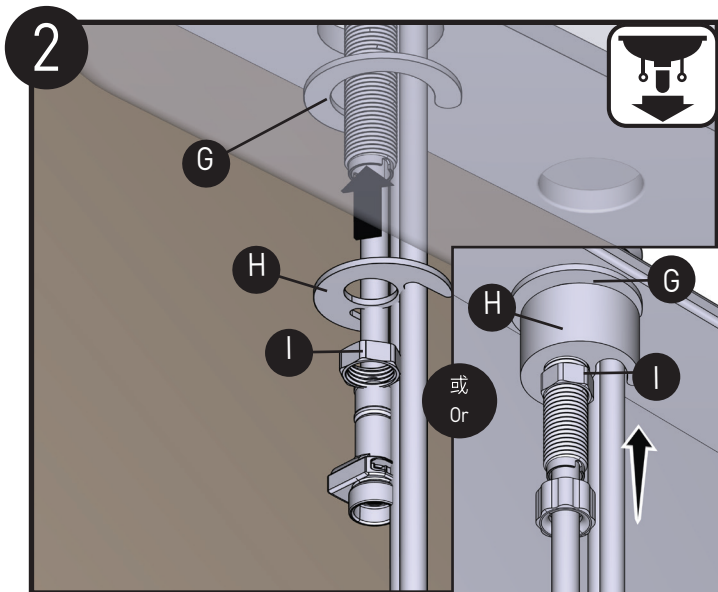


水槽下方
Below sink



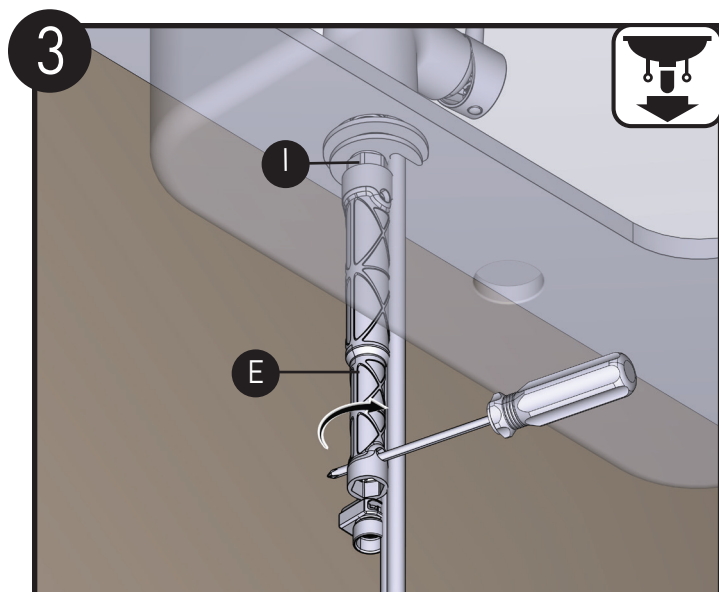
把防水件/防水组件 (D) 放在水槽上, 然后将龙头主体 (B) 放入水槽中。

Place Gasket or Gasket & Escutcheon (D) onto the sink and put the Faucet Body (B) into sink.



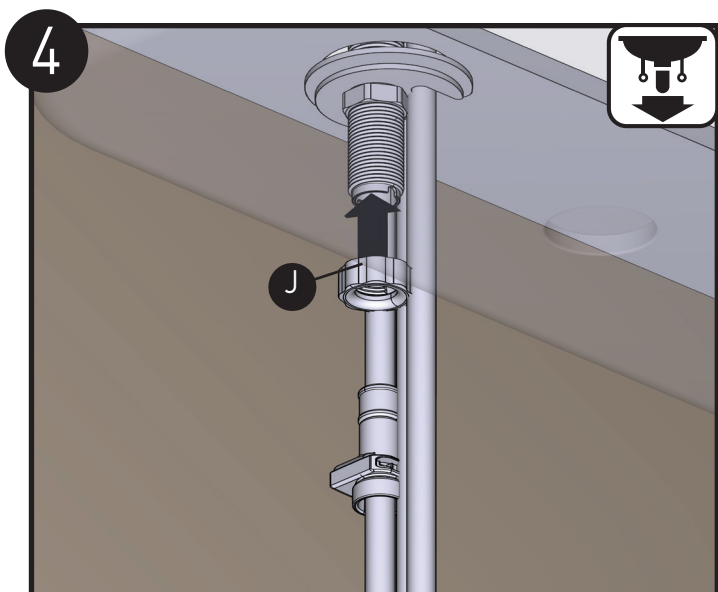
将橡胶垫片 (G) 和金属底垫 (H) 按如图所示的顺序安装到水龙头主体 (B) 上, 并用安装螺母 (I) 固定。

Install Rubber Gasket (G) and Mounting Bracket (H) onto Faucet Body (B), in the order shown in the figure. Secure Rubber Gasket (G) and Mounting Bracket (H) with Mounting Nut (I).



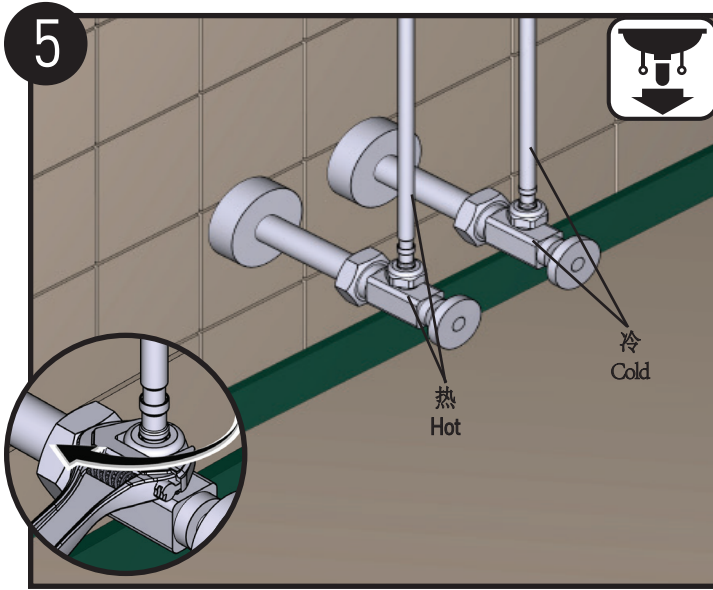
用套筒扳手 (E) 将安装螺母 (I) 拧紧。

Tighten the Mounting Nut (I) with Mounting Tool (E).



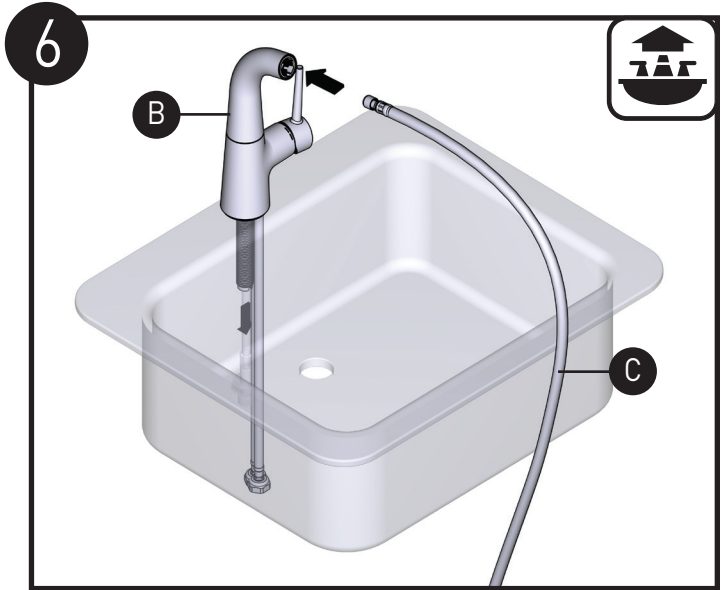
如图所示, 将防撞螺母 (J) 拧到安装杆的末端, 用手拧紧。

Thread the Hose Protector (J) on to the end of shank as shown. Tighten the Hose Protector (J) manually.



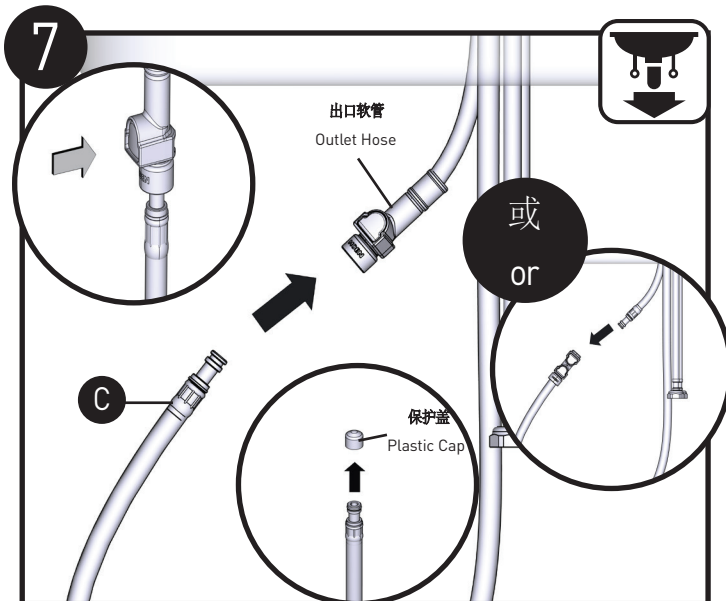
将水龙头冷热水管分别正确地连接到冷热进水口。

Check that hot & cold supply hoses are connected correctly to hot & cold supplies.



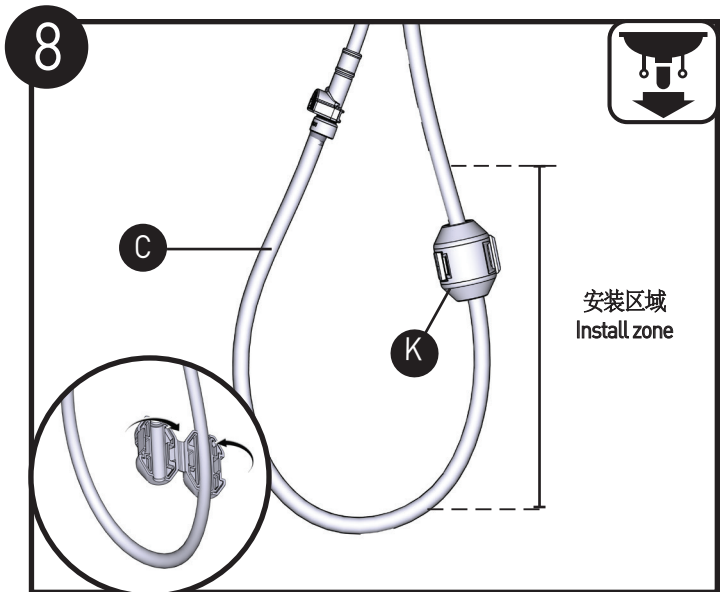
将抽拉软管 (C) 从水龙头主体 (B) 插入安装。注意：安装时请勿先取下抽拉软管 (C) 的保护盖。

Insert Pullout Hose (C) into opening and feed through Faucet Body (B) until wand is docked. Note: Do not remove the Plastic Cap of Pullout Hose (C) first during installation.



拔掉抽拉软管 (C) 的保护盖，将抽拉软管 (C) 装到出口软管上。尽可能往内推，直到听到“咔嚓”声。向下拉测试安装是否牢固。注：如果想拆下抽拉软管 (C) 可按下开关同时向下拉。

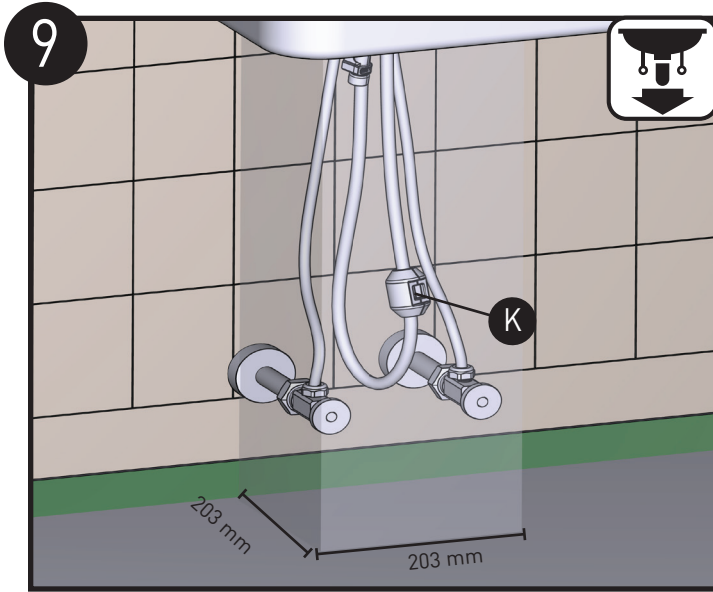
Remove and discard Plastic Cap from end of Pullout Hose (C), Install Pullout Hose (C) to Outlet Hose. Push in as far as possible until a "click" is heard. Note: To release the installation, you can press the switch and pull down at the same time.



将配重块 (K) 打开，扣在抽拉软管 (C) 上。

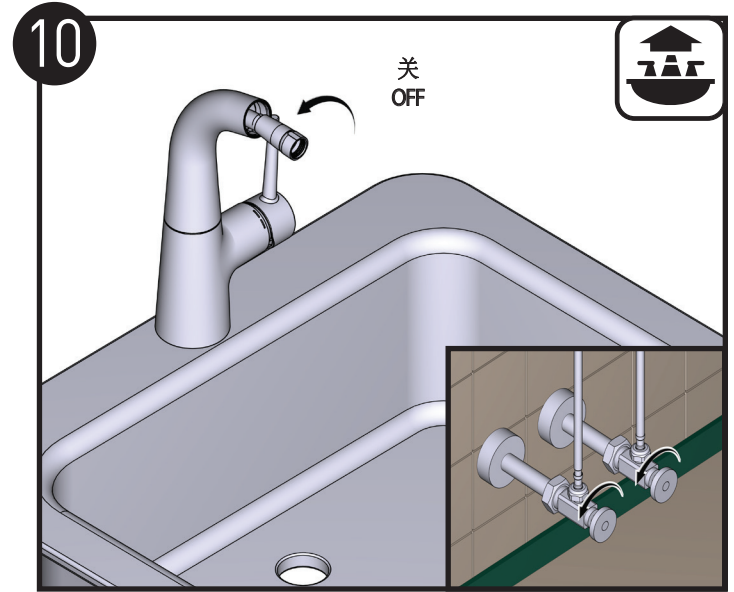
注：安装配重块的时候请调整并保证抽拉功能操作顺畅。

Install Hose Weight (K) between bottom of loop curvature and white tape of Pullout Hose (C). Note: The installation of Hose Weight must ensure that the pull-out function works well.



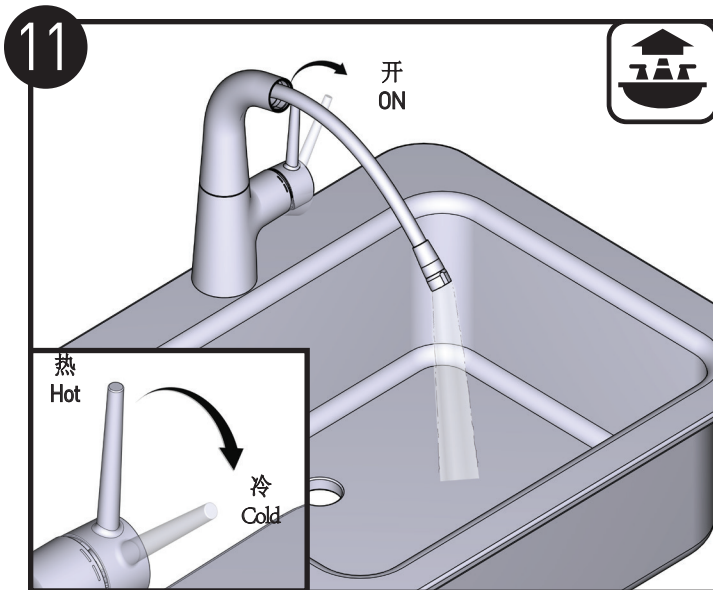
为保障您的新抽拉式水龙头处于最佳状态，摩恩建议如下：保留203mm*203mm的空间以保证软管和配重块的滑动顺畅。

For the best performance of your new pullout faucet, Moen recommends keeping 203*203mm clear area for Pullout Hose and Hose Weight to travel, without any obstruction.



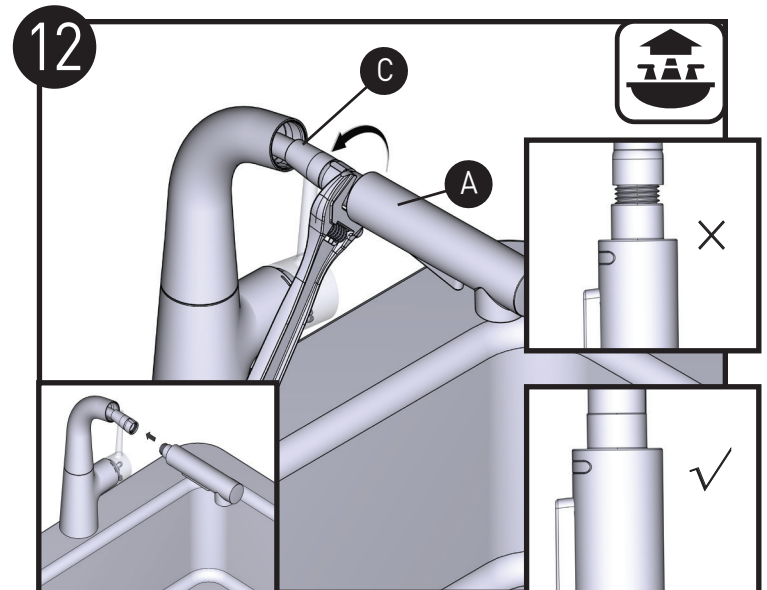
将水龙头调整至关闭状态，打开冷热水管的开关。

Adjust the faucet to off and turn on the hot & cold water supplies.



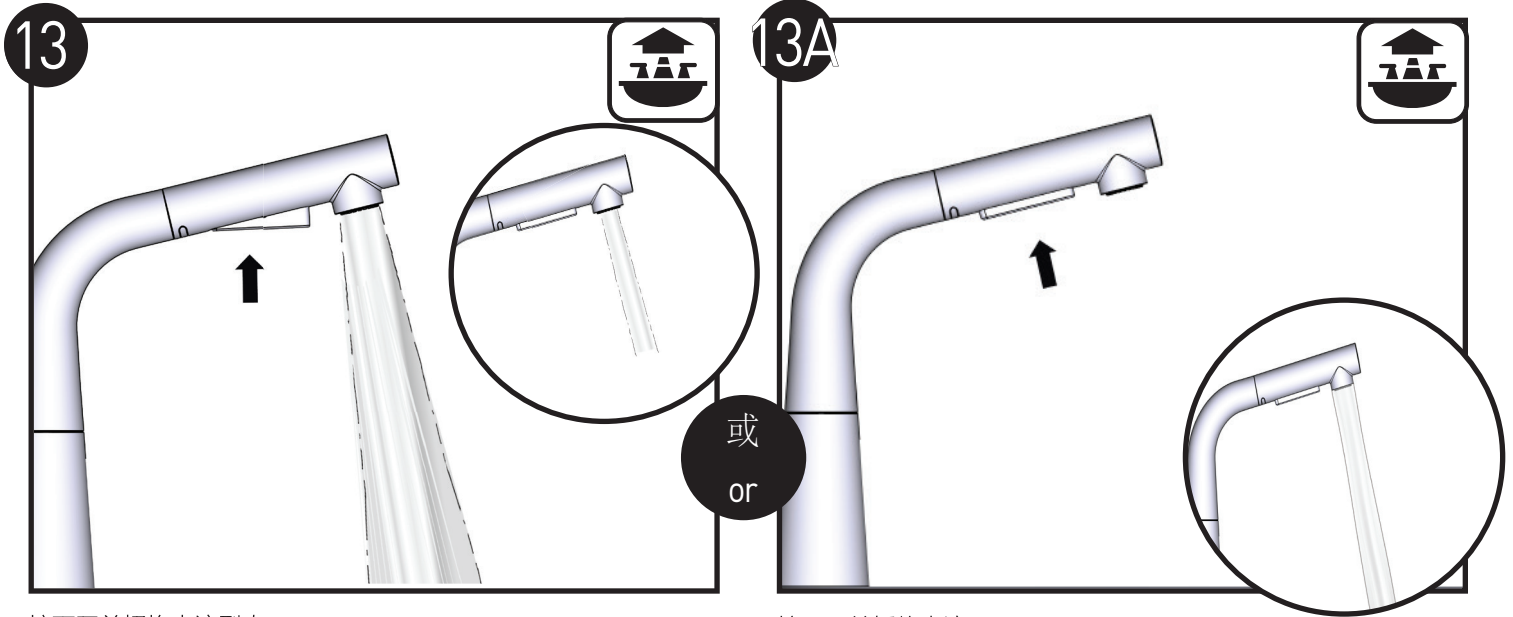
打开水龙头开关测试出水是否正常。

Turn on the faucet switch to test whether the effluent is normal.



先用手连接并拧紧喷嘴 (A) 与抽拉软管 (C)，如果没有达到安装效果，可用活动扳手锁紧。注意：不需过于用力，以防损坏喷嘴。

Thread Pullout Hose (C) onto Spray Wand (A) and tighten manually. If necessary, tighten by an adjustable wrench. Note: Do not overtighten.



按下开关切换水流形态。

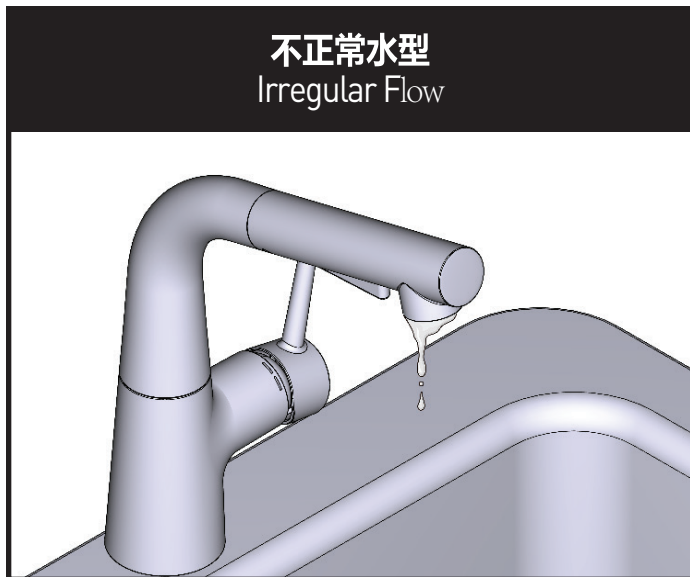
Press the switch to change the flow pattern.

按下开关暂停水流。

注：不是所有的型号的产品都有此功能。

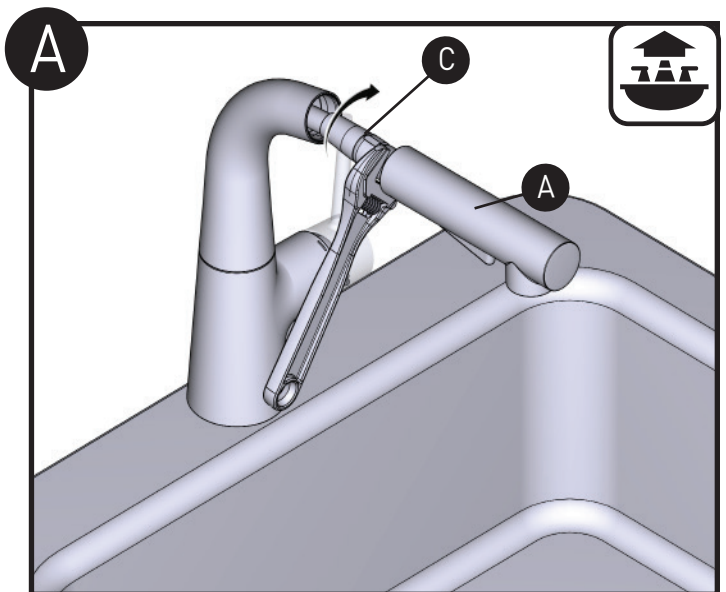
Press the switch to pause the water.
Note: Not all product models have this function.

产品使用说明 Usage Instructions



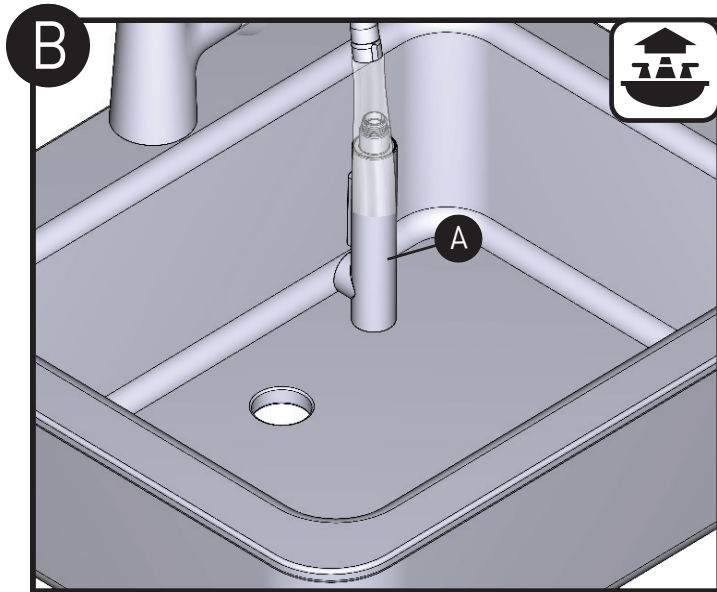
按照步骤 A 到 E 来处理不正常的水型。

Follow steps A through E to handle Irregular Flow.



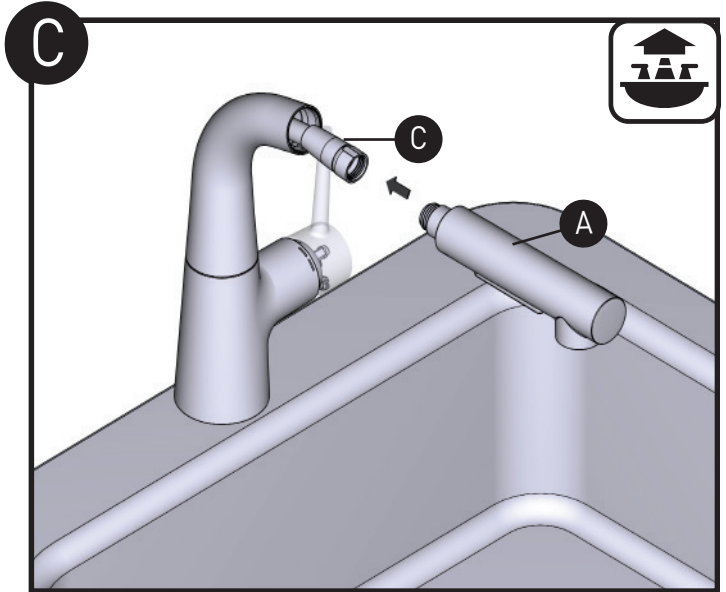
将喷嘴 (A) 拆下。

Unscrew Spray Wand (A).



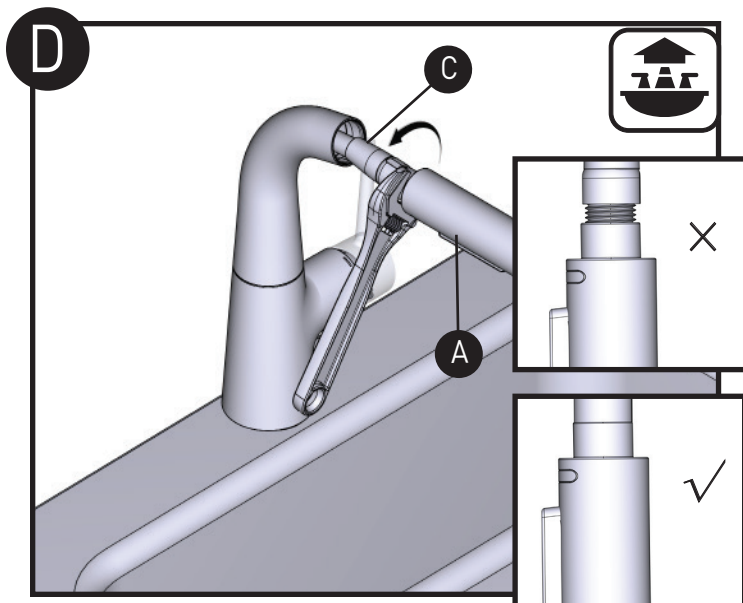
用水冲洗喷嘴 (A), 清洗至无可见碎屑等堵塞物。关闭开关然后, 重新安装喷嘴 (A)。

Clean Spray Wand **(A)** as shown to remove any possible debris. Turn off water and reinstall Spray Wand **(A)**.



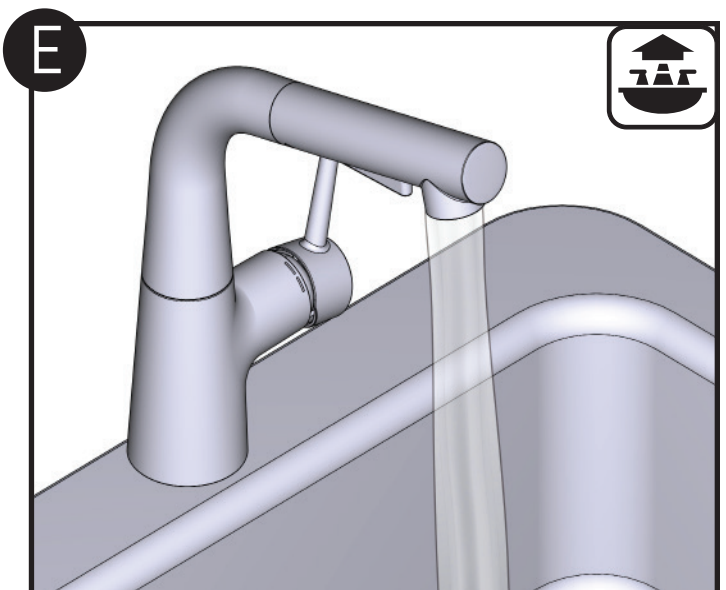
将喷嘴 (A) 和抽拉软管 (C) 重新连接。

Thread Pullout Hose **(C)** onto Spray Wand **(A)** again.



重新用手连接并拧紧喷嘴 (A) 与抽拉软管 (C), 如果没有达到安装效果, 可用活动扳手锁紧。注意: 不需过于用力, 以防损坏喷嘴。

Thread Pullout Hose **(C)** onto Spray Wand **(A)** and tighten manually. If necessary, tighten by an adjustable wrench. Note: Do not overtighten.



打开开关, 水流恢复正常。如果没有恢复请重复步骤A到D。

Turn on the faucet to see if the flow has improved. Repeat steps A through D if necessary.

产品售后保修条款

摩恩产品是在高质量标准及生产工艺下制造的，摩恩承诺为消费者购买的洁具产品提供有期限免费保修及终身维修服务。

龙头免费保修期为5年，其它附件如软管、花洒、落水、把手、装饰盖、提拉杆、混水器等保修期均为1年有限。均自消费者购买日（以摩恩产品分销商开具的发票或收据上载明日期为准）起计。

免费保修范围为产品及产品配件（如软管、花洒、落水、把手、装饰盖、提拉杆、混水器），由于材质及工艺原因而造成的故障或损坏。免费保修期内，我们将无偿为您提供维修服务及更换发生故障的产品或产品配件。摩恩的售后服务责任仅限于对故障产品的修理，而不延及您因产品故障而发生的其他损失，法律另有规定的除外。您需了解：产品外观碰伤、刻划痕迹，以及滥用及不正当保养所导致的故障或损坏，均不属于免费保修范围。即使在免费保修期内，属下列（1）-（5）情况之一的，需酌情收取修理费用：

1. 不能出示相符的保修卡和有效购买凭证情况的，
2. 未按使用说明告知的使用方法和注意事项造成的故障，
3. 自行拆卸、维修、改装所造成的故障和损坏，
4. 由于不可抗力等外部原因引起的故障和损坏，
5. 由于运输、搬卸、挤压等造成的损坏。

对于保修期外或不在保修范围内的产品，如需维修，摩恩将酌情收取上门费、人工费及材料费。

本保修条款仅对原始消费者和酒店行业的购买者有效，并不适用于本产品工业、商业、贸易和非酒店行业的使用。

如对本保修条款内容有任何疑问，请拨打400 630 8866咨询热线，或向当地分销商咨询。

MOEN LIMITED WARRANTY

We offer limited warranty and lifetime maintenance for Moen products, which are all manufactured with high standards of workmanship.

The period of warranty shall start from the date of purchase of the product (according to the invoice or receipt issued by Moen distributors) and shall cover a period of the following: The warranty period for faucet is 5 years. Warranty period of other accessory such as hose, hand shower, waste, assembly, handle, cover, lift rod, aerator is 1 year.

This warranty is your coverage against material and workmanship malfunction or defects in Moen products or components (hose, hand shower, waste, assembly, handle, cover, lift rod, aerator). During the warranty period, we offer free maintenance and changing of malfunctioned products or product components. Moen's after sales service liability is limited to the maintenance of faulty items and does not cover your other losses caused by product malfunction, except for otherwise stipulated by law.

Cosmetic damages (scratches, dents, etc.) and malfunction or defects caused by abuse or improper maintenance is not covered by this warranty. Although the warranty period remains valid, in case of the following conditions (1) - (5), the maintenance cost (material cost and labor cost) shall still be charged as the case may be:

1. Corresponding warranty card and valid invoice cannot be presented;
2. Faults were caused by the incompliance with the instructions and precautions provided in the user's manual;
3. Damages and faults were caused by self-actuated dismantling, repair and refit;
4. Faults and damages were caused by external factors such as force majeure;
5. Damages were caused by transportation, unloading and extrusion, etc.

This warranty is valid for the original consumers only (including hotel use), and excludes industrial and commercial use of the product (except for hotel use). This card is only responsible for product maintenance rather than any other liabilities. In the event that the product requires maintenance but exceeds the warranty period, or that the product is not covered by this warranty, labor cost and material cost shall be charged as the case may be.

Please call 400-630-8866 or contact local dealer for any question.

MOEN® 摩恩	
合格证 Compliance Certification	
产品名称 Product Name	抽取式厨房龙头 Pullout Kitchen Faucet
检验员 Inspector	_____
生产日期 Date of Production	_____
富俊汇赢科技（上海）有限公司 中国（上海）自由贸易试验区新杨公路 1800弄1号4幢207室 邮编：201413	
Fortune Brands Innovations (Shanghai) Co., Ltd Room 207, Building 4, No. 1, Lane 1800, Xinyang Highway, China (Shanghai) Pilot Free Trade Zone	