

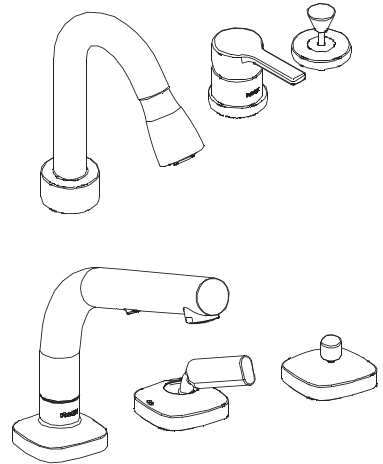
# MOEN® 摩恩

## 抽取式面盆龙头

### 凯瑞系列 安装说明书

## Pullout Lavatory Faucet Kerry Series

### INSTALLATION INSTRUCTIONS



如需安装支持，配件丢失等，请联系MOEN。  
(中国) 400-630-8866  
www.moen.cn

PLEASE CONTACT MOEN FIRST  
For Installation Help, Missing or Replacement  
Parts  
(China) 400-630-8866  
www.moen.cn

#### 推荐工具

为了安全和让安装和替换变得容易，Moen建议您使用以下工具：

#### HELPFUL TOOLS

For safety and ease of replacement, Moen recommends the use of these helpful tools.

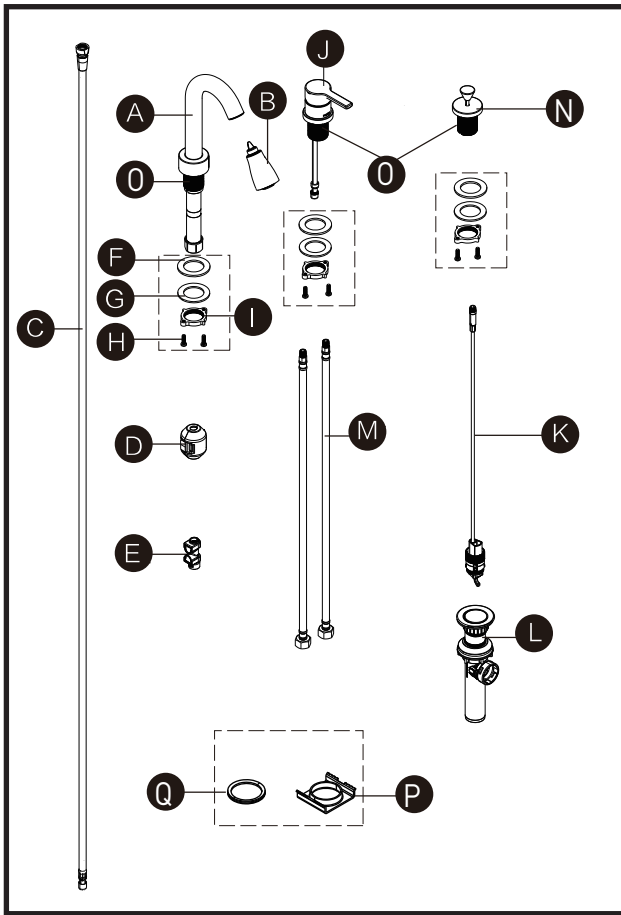


图片仅供参考  
(款式因型号而异)

Image is for reference only  
(Style varies by model)

记录购买的型号：  
(保存安装说明书以备将来参考)

Record Purchased Model Number:  
(Save instruction sheet for future reference)



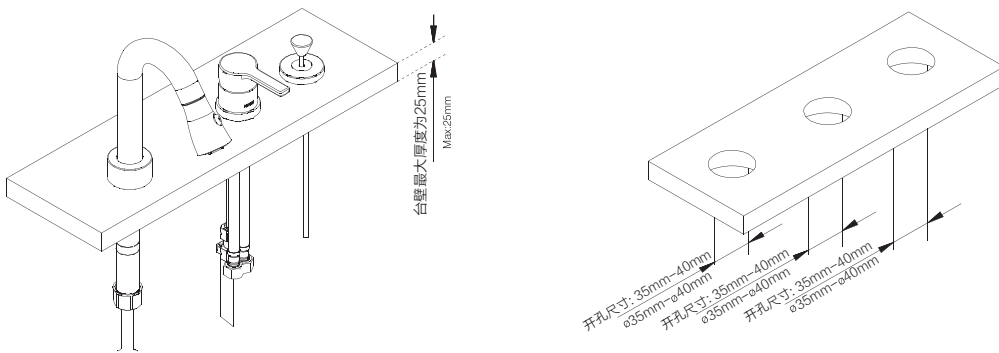
## 零件清单

- A. 龙头
- B. 喷嘴
- C. 抽拉软管
- D. 配重块
- E. 快速接头
- F. 橡胶垫片 (3X)
- G. 金属垫片 (3X)
- H. 螺钉 (6X)
- I. 固定螺母
- J. 把手组件
- K. 线控组件
- L. 去水组件
- M. 冷热水管
- N. 提拉面盖
- O. 通牙螺管
- P. 安装支架 (选配)
- Q. 密封垫圈 (选配)

## Parts List

- A. Faucet
- B. Spray Wand
- C. Pullout Hose
- D. Hose Weight
- E. Quick Connector
- F. Gasket (3X)
- G. Mounting Washers (3X)
- H. Screw (6X)
- I. Mounting Nut
- J. Handle Assembly
- K. Rope Drain
- L. Drain Assembly
- M. Cold and Hot Water Supply Hose
- N. Lift Rod Assembly Escutcheon
- O. Mounting Tube
- P. Mounting Bracket (Option)
- Q. Sealing Gasket (Option)

## 安装尺寸说明 INSTALL DIMENSION INSTRUCTIONS



### 移除旧龙头注意事项:

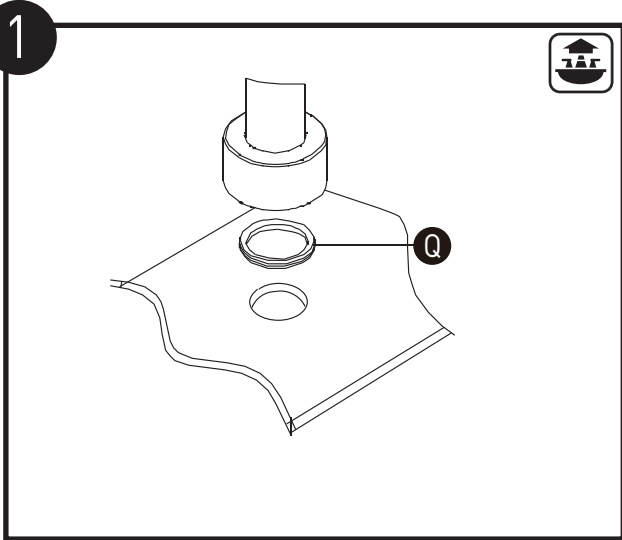
拆除现有水龙头或拆卸阀门之前, 请务必先关闭供水。打开水龙头手柄以释放水压, 确保完全关闭水源。

### CAUTION — TIPS FOR REMOVAL OF OLD FAUCET:

Always turn water supply OFF before removing existing faucet or disassembling the valve. Open faucet handle to relieve water pressure and ensure that complete water shut-off has been accomplished.

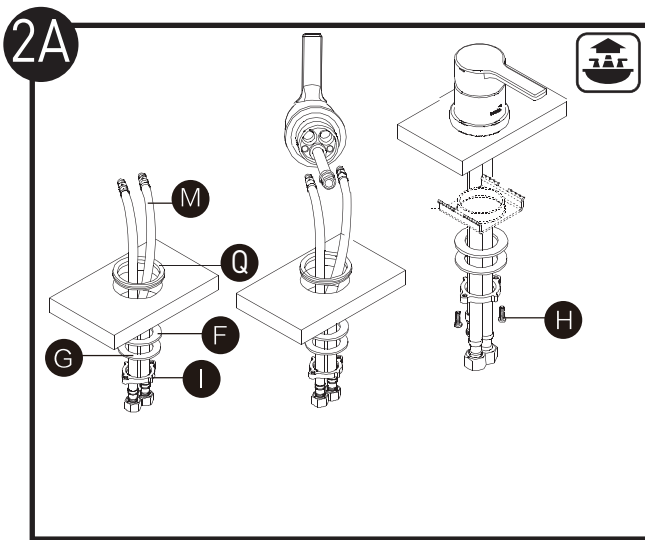
### 图标图例 Icon Legend



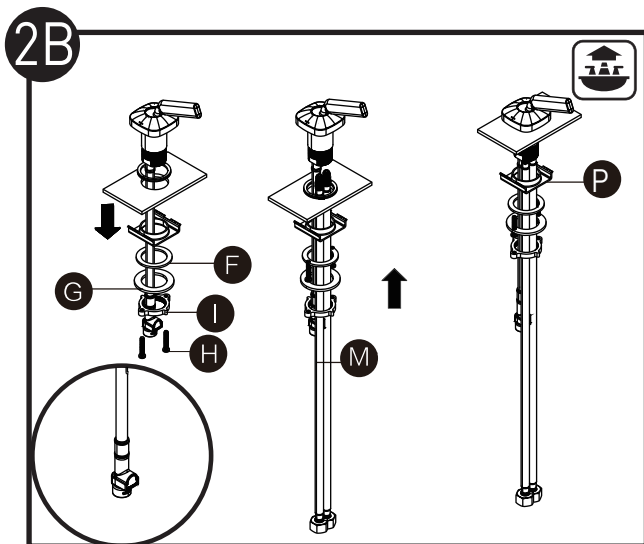


台面密封垫圈 (Q) 装在龙头 (A)，把手组件 (J) 或提拉面盖 (N) 底部。安装前请检查台面是否干净平整。**注意：不是所有型号都有可选项防水垫片。**

Desk Sealing Gasket (Q) posted on the bottom of faucet (A). Handle Assembly (J) or Lift Rod Assembly Escutcheon (N). Please clean the desk before installation. **Note: Not all models have optional Sealing Gaskets.**

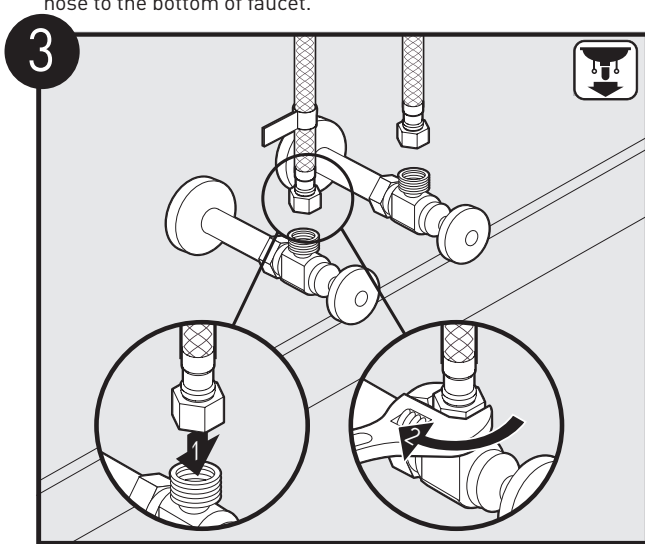


1. 将固定螺母 (I) 金属垫片 (G)，橡胶垫片 (F) 依次穿过冷热水软管 (M)。
  2. 将软管穿过台面的安装孔。
  3. 将龙头位置倾斜到合适位置，再将热水软管拧进龙头底部。
1. Put the mounting nut (I), mounting washer (G) and gasket (F) through cold & hot supply hose (M).
  2. Put the cold & hot supply hose (M) through deck installation hole.
  3. Hold faucet by hand and thread the cold and hot supply (M) hose to the bottom of faucet.



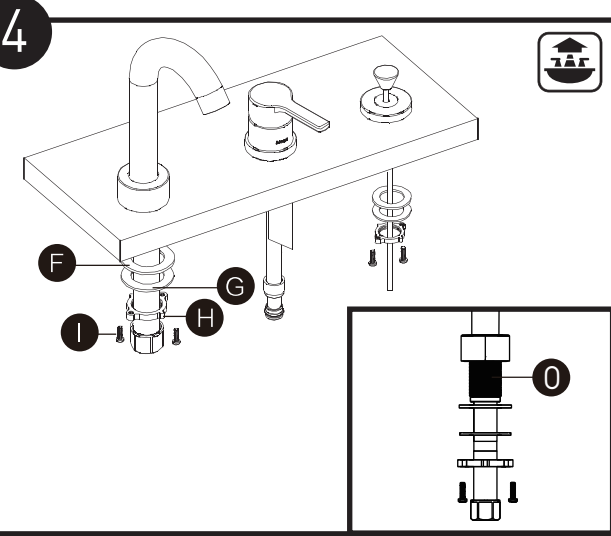
将把手组件 (J) 及冷热水管 (M)，按如图所示的顺序穿过固定螺母 (I) 金属垫片 (G) 橡胶垫片 (F) 安装支架 (P)，再将冷热水管装入把手组件 (J)。**注意：把手组件带有快速接头类型的产品，请参考此步骤进行安装。**

Pass the Handle Assembly (J) and the Hot and Cold Water Supply hose (M) through the Mounting Nut (I), Mounting Washers (G), Gasket (F), Mounting Bracket (P) in the order shown in the figure, and then install the Hot and Cold Water Supply Hose (M) into the Handle Assembly (J). **Note: For products with quick connector type of handle assembly, please refer to this procedure for installation.**



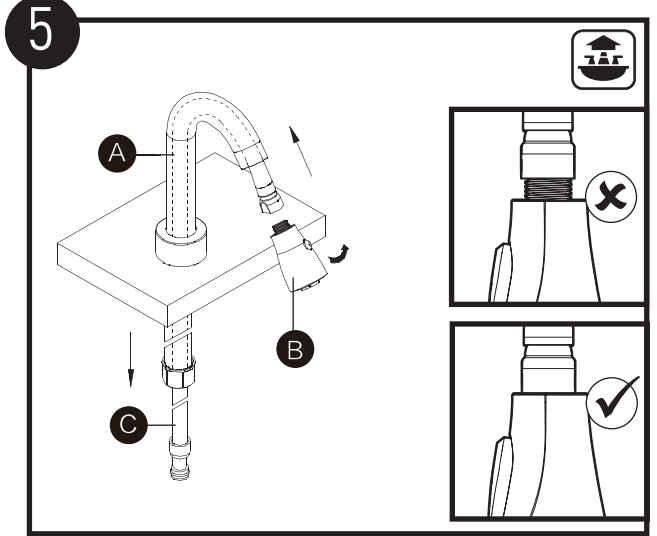
将水龙头的冷热水管分别正确地连接到冷热水进口。

Check that Hot and Cold Supply Hose are connected correctly to hot and cold supplies.



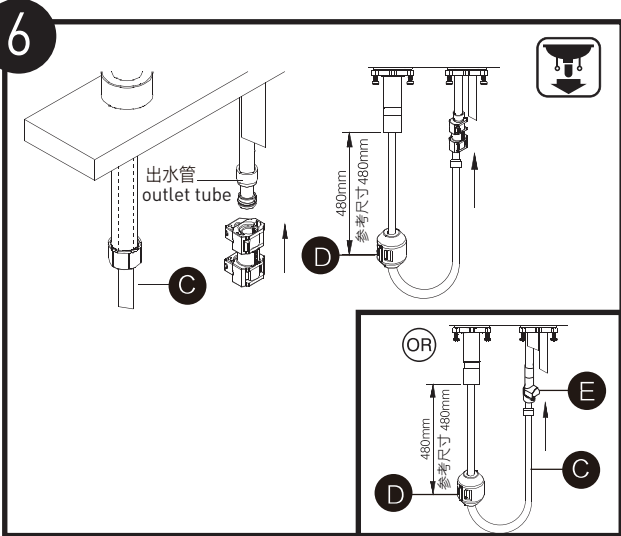
将橡胶垫片 (F)，不锈钢垫片 (G) 穿过通牙螺管，将固定螺母 (I) 锁紧在通牙螺管 (O) 上，在用螺丝刀将两颗螺钉 (H) 锁紧在固定螺母 (I) 用以紧固。

Put gasket (F), mounting washer (G) through mounting tube. and thread mounting nut (I) to the mounting tube (O), thread two screws (H) to mounting nut (I) for tightening.



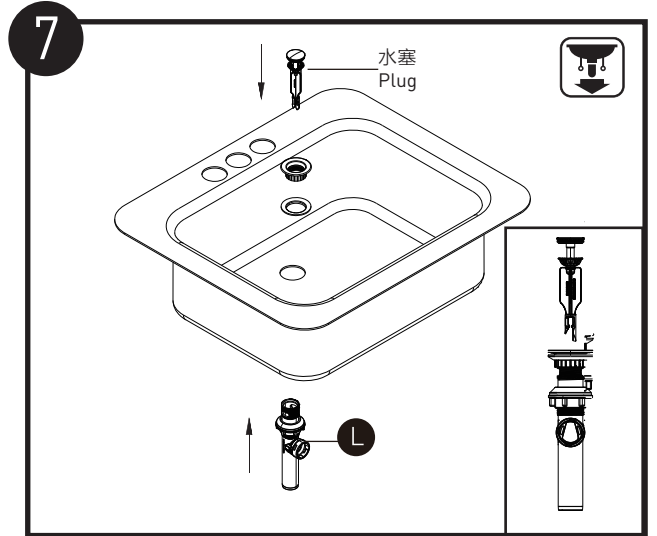
将抽拉软管 (C) 从龙头 (A) 穿过去 (带内螺纹的端方向朝上)，先用手连接喷嘴 (B) 与抽拉软管 (C)，然后用活动扳手锁紧不留缝隙。注意：不需过于用力，以防损坏喷嘴。

Put pull-out (C) hose through Faucet (A). (side with hex nut towards upside). Thread Spray Wand (B) onto Pullout Hose (C) manually, and tighten by an adjustable wrench without leaving a gap. Note: Do not overtighten.



1. 将快速接头 (E) 的一端插进出水管上，按下上端的按钮将快速接头 (E) 锁紧。
2. 另外一端将抽拉软管接头插进快速接头 (E) 并按下按钮将快速接头锁紧。将配重块 (D) 安装在靠近龙头 (A) 一端的抽拉软管上 (C)。开水检查龙头是否漏水。

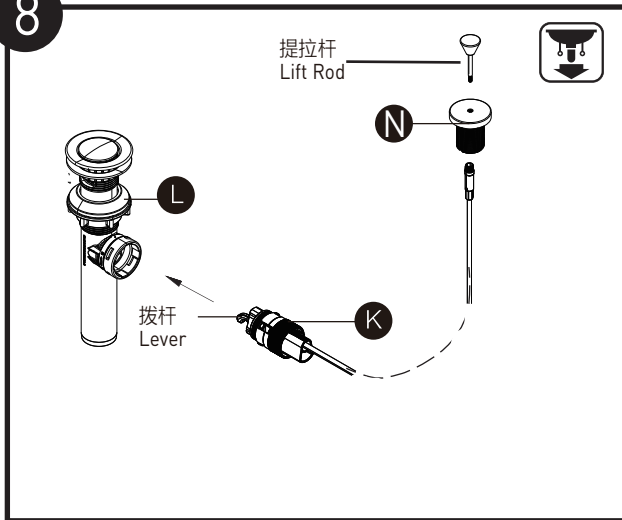
1. Put Quick Connector (E) to outlet tube and press the button on the quick connector (E). 2. The other end of pull-out hose to quick connector (E), press the button to lock. Install the Hose Weight (D) on the Pullout Hose (C) near the end of the Faucet (A). turn on the water and check for leak.



将去水组件 (L) 按如图所示顺序安装。注：水塞底部接口要与去水组件接口平行。

Install the Drain Assembly (L) in the order shown in the figure. Note: The bottom interface of the plug should be parallel to the Drain Assembly interface.

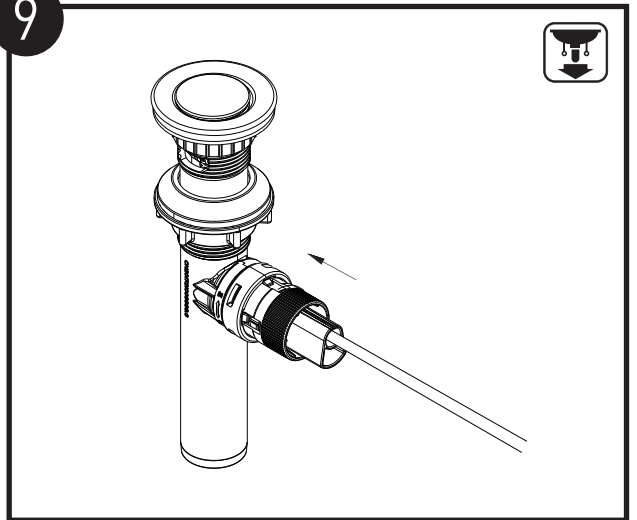
8



将线控组件 (K) 带有螺母的一端插入提拉面盖 (N) 旋紧固定, 再将提拉杆拧进装饰板的小孔中旋紧固定。将线控组件 (K) 的拨杆调至低位, 对准孔位将其插入去水组件 (L), 顺时针旋紧固定。

Insert the end of the Rope Drain (K) with the nut into Lift Rod Escutcheon Assembly (N) and screw the Lift Rod into the small hole into the Lift Rod Escutcheon Assembly (N) to tighten it. Turn the lever of the Rope Drain (K) low, align it and insert it into the Drain Assembly (L), tighten it clockwise.

9



注意: 将线控组件 (K) 插入时, 要对准卡扣再内推。然后再顺时针旋紧。

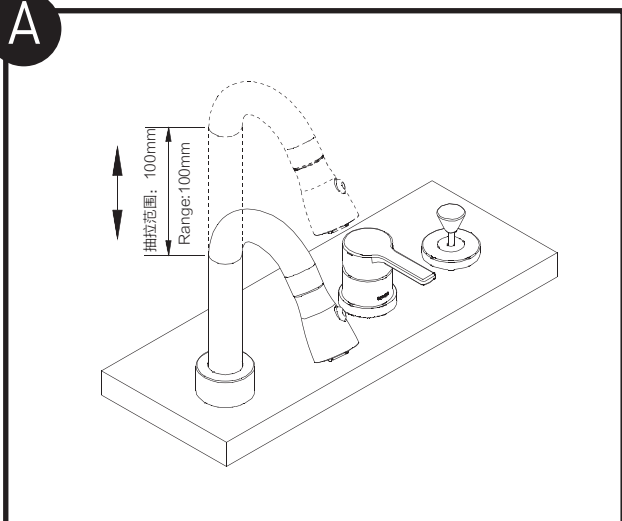
Attention: When inserting the Rope Drain (K), align the snap and push in. And then tighten it clockwise.

## 使用说明 Function Instruction

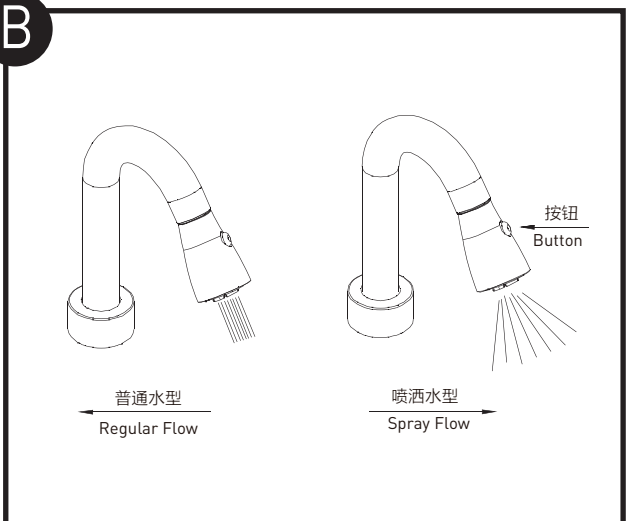
1. 抽拉水嘴检验升降是否平稳自如, 水嘴抽拉到使用理想的位置不会自动滑落。
2. 喷头的水型可以切换, 当连续按下按钮时为喷洒水型, 松开后为普通水型。

1. Please check whether the spout could be pulled out smoothly and could locate at the desired height in puling range without dropping.
2. Switch the flow pattern from regula aerated flow to spray flow by pressing the switch button on the spray wand.

A



B



## 产品售后保修条款

摩恩产品是在高质量标准及生产工艺下制造的，摩恩承诺为消费者购买的洁具产品提供有期限免费保修及终身维修服务。

龙头免费保修期为：阀芯5年，电磁阀感应器2年，其它附件如淋浴杆、软管、花洒、落水、把手、装饰盖、提拉杆、混水器等保修期均为1年有限。均自消费者购买日（以摩恩产品分销商开具的发票或收据上载明日期为准）起计。

免费保修范围为产品及产品配件（如淋浴杆、软管、花洒、落水、把手、装饰盖、提拉杆、混水器等）由于材质及工艺原因而造成的故障或损坏。免费保修期内，我们将无偿为您提供修理服务及更换发生故障的产品或产品配件。摩恩的售后服务责任仅限于对故障产品的修理，而不延及您因产品故障而发生的其他损失，法律另有规定的除外。

您需了解：产品外观碰伤、刻划痕迹，以及滥用及不正当保养所导致的故障或损坏，均不属于免费保修范围。即使在免费保修期内，属下列（1）-（5）情况之一的，需酌情收取修理费用：

1. 不能出示相符的保修卡和有效购买凭证情况的，
2. 未按使用说明告知的使用方法和注意事项造成的故障，
3. 自行拆卸、维修、改装所造成的故障和损坏，
4. 由于不可抗力等外部原因引起的故障和损坏，
5. 由于运输、搬运、挤压等造成的损坏。

对于保修期外或不在保修范围内的产品，如需维修，摩恩将酌情收取上门费、人工费及材料费。

本保修条款仅对原始消费者和酒店行业的购买者有效，并不适用于本产品工业，商业，贸易和非酒店行业的使用。

如对本保修条款内容有任何疑问，请拨打400 630 8866 咨询热线，或向当地分销商咨询。

## MOEN LIMITED WARRANTY

We offer limited warranty and lifetime maintenance for Moen products, which are all manufactured with high standards of workmanship.

The period of warranty shall start from the date of purchase of the product (according to the invoice or receipt issued by Moen distributors) and shall cover a period of the following: the warranty period for cartridge is 5 years, the warranty period for solenoid valve sensor is 2 years, the warranty period of other accessories such as shower bar, hose, shower, drain assembly, handle, cover, lift rod, aerator etc. is 1 year.

This warranty is your coverage against material and workmanship malfunction or defects in Moen products or components (such as shower bar, hose, shower, drain assembly, handle, cover, lift rod, aerator etc.). During the warranty period, we offer free maintenance and changing of malfunctioned products or product components. Moen's after sales service liability is limited to the maintenance of faulty items and does not cover your other losses caused by product malfunction, except for otherwise stipulated by law.

Cosmetic damages (scratches, dents, etc.) and malfunction or defects caused by abuse or improper maintenance is not covered by this warranty. Although the warranty period remains valid, in case of the following conditions (1) - (5), the maintenance cost (material cost and labor cost) shall still be charged as the case may be:

1. Corresponding warranty card and valid invoice cannot be presented;
2. Faults were caused by the incompliance with the instructions and precautions provided in the user's manual;
3. Damages and faults were caused by self-actuated dismantling, repair and refit;
4. Faults and damages were caused by external factors such as force majeure;
5. Damages were caused by transportation, unloading and extrusion, etc.

This warranty is valid for the original consumers only (including hotel use), and excludes industrial and commercial use of the product (except for hotel use). This card is only responsible for product maintenance rather than any other liabilities.

In the event that the product requires maintenance but exceeds the warranty period, or that the product is not covered by this warranty, labor cost and material cost shall be charged as the case may be.

Please call 400-630-8866 or contact local dealer for any question.

# MOEN® 摩恩®

## 合格证

### Compliance Certification

产品名称 抽取式面盆龙头  
Product Name Pullout Lavatory Faucet

检验员  
Inspector

生产日期  
Date of Production

富俊汇赢科技（上海）有限公司  
Fortune Brands Innovations (Shanghai) Co., Ltd